

# Lecture 08

# Analog Input

CE346 – Microprocessor System Design  
Branden Ghena – Spring 2021

Some slides borrowed from:  
Josiah Hester (Northwestern), Prabal Dutta (UC Berkeley)

# Today's Goals

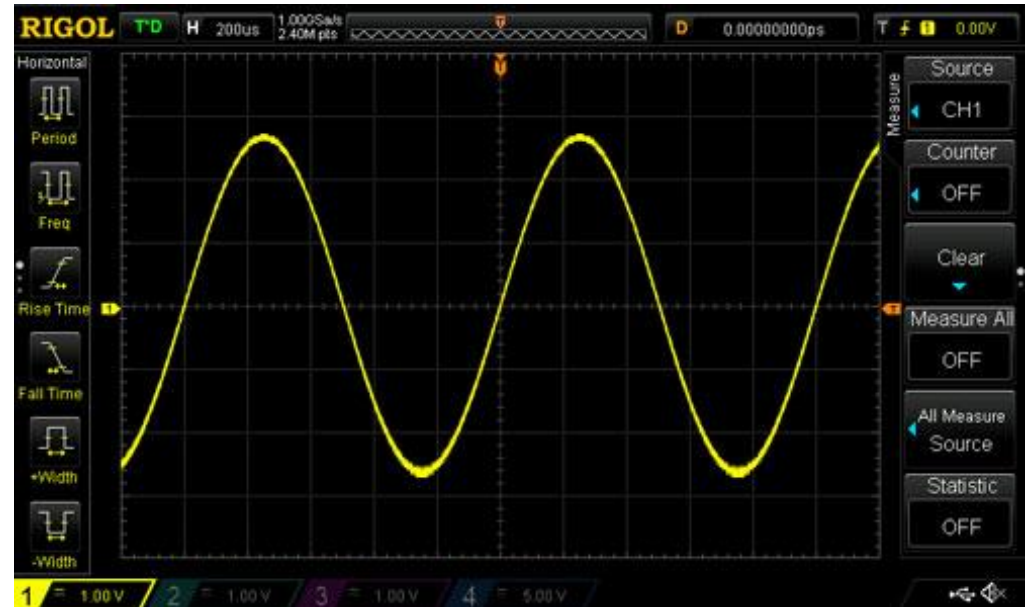
- Explore methods for sensing analog signals
  - Comparators
  - Analog-to-Digital Converters
- Discuss nRF implementation of these peripherals

# Outline

- **Comparators (and nRF implementations)**
- General ADC Design
- nRF ADC Implementation

# Analog signals

- Exist in infinite states
  - From a maximum to a minimum
- Often used for interactions with the real world
  - Sensors usually generate analog signals
- Microbit example: microphone



# Interacting with analog signals

- Microcontrollers are inherently digital
- Need a method for translating analog signal into a digital one
- Options:
  1. Determine if signal is higher or lower than some amount (Boolean)
  2. Determine voltage value of signal (N-bit number)

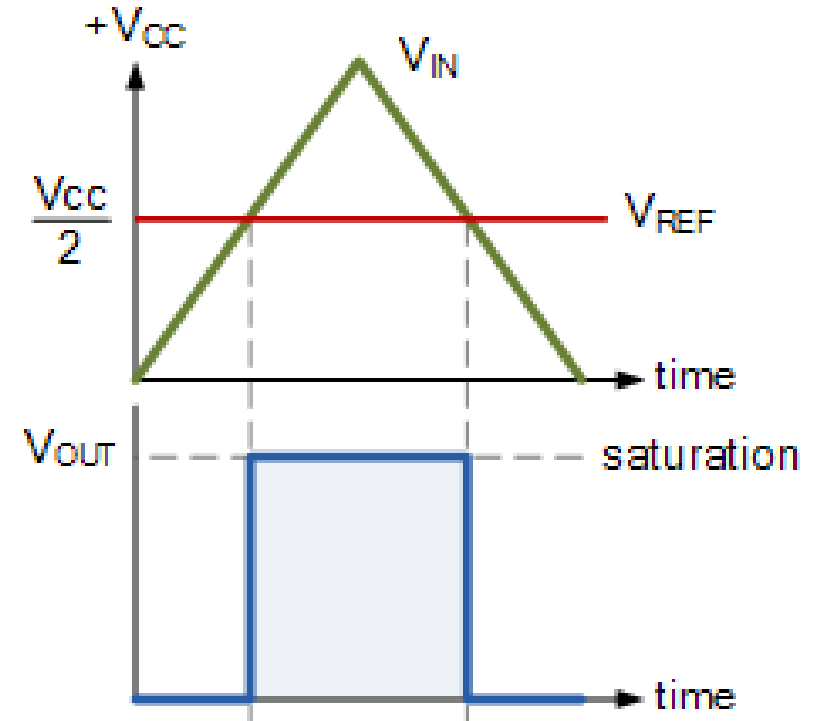
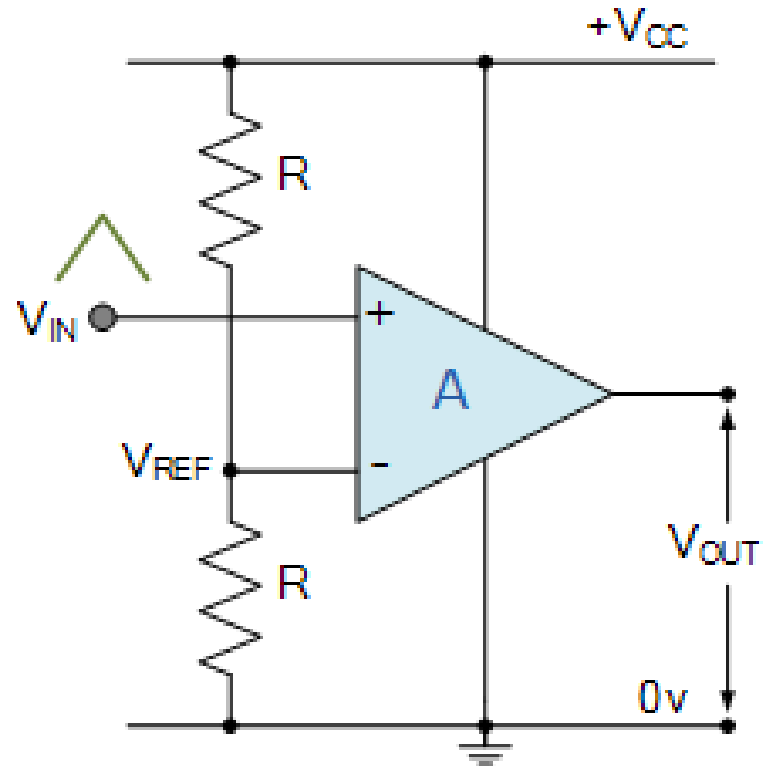
# Interacting with analog signals

- Microcontrollers are inherently digital
- Need a method for translating analog signal into a digital one
- Options:
  - 1. Determine if signal is higher or lower than some amount (Boolean)**
  2. Determine voltage value of signal (N-bit number)

**Determination is done by a Comparator**

# General comparator design

- Compares an analog input signal to a reference voltage
- $V_{OUT}$  digital signal
  - High:  $V_{IN} > V_{REF}$
  - Low:  $V_{IN} < V_{REF}$
- Advantages:
  - Simple
  - Low power



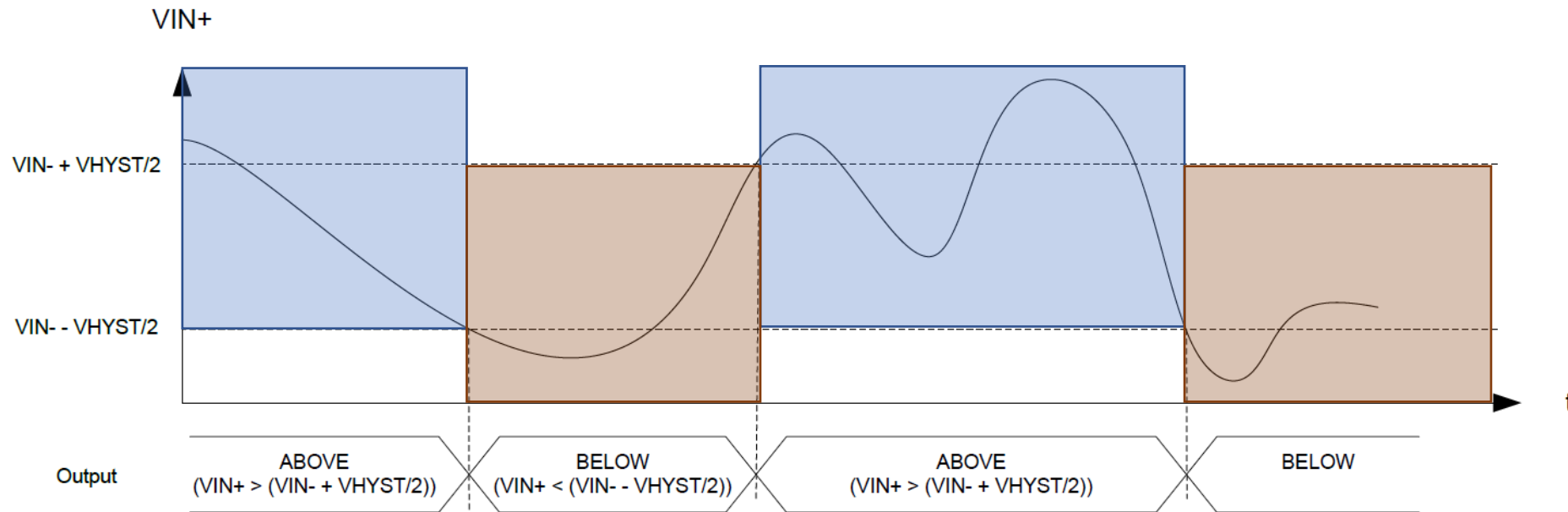
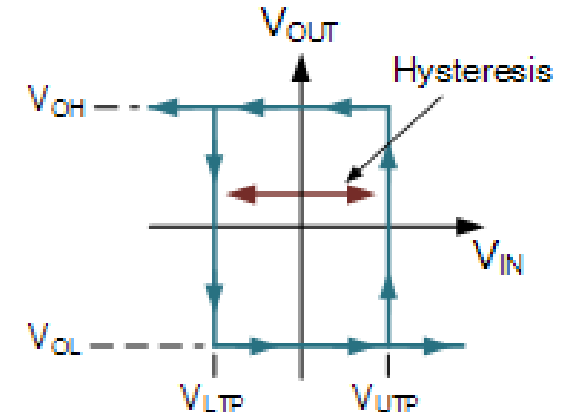
# Comparator design questions

- What reference voltages are available?
  - Usually a few internal voltages
  - Usually also allows external references
- When is an output generated?
  - Usually when status changes
    - Low-to-high, High-to-low, Both (like GPIO interrupts)

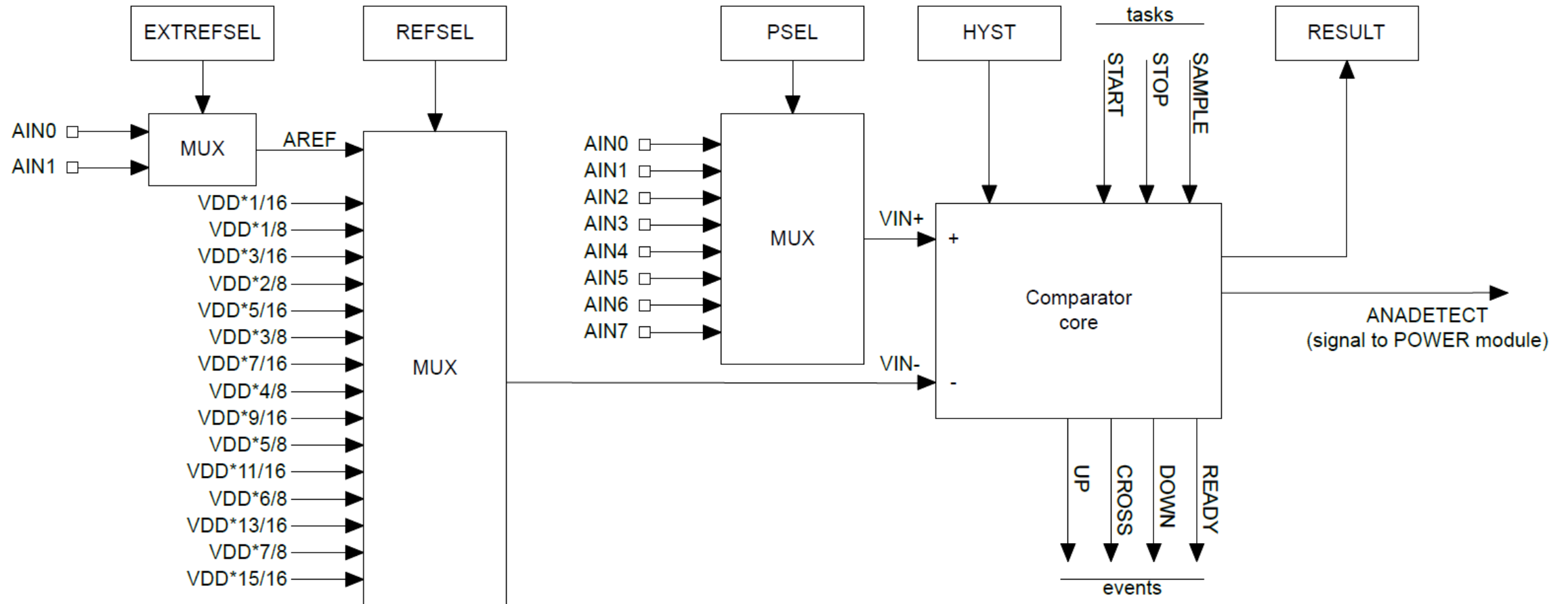


# Hysteresis

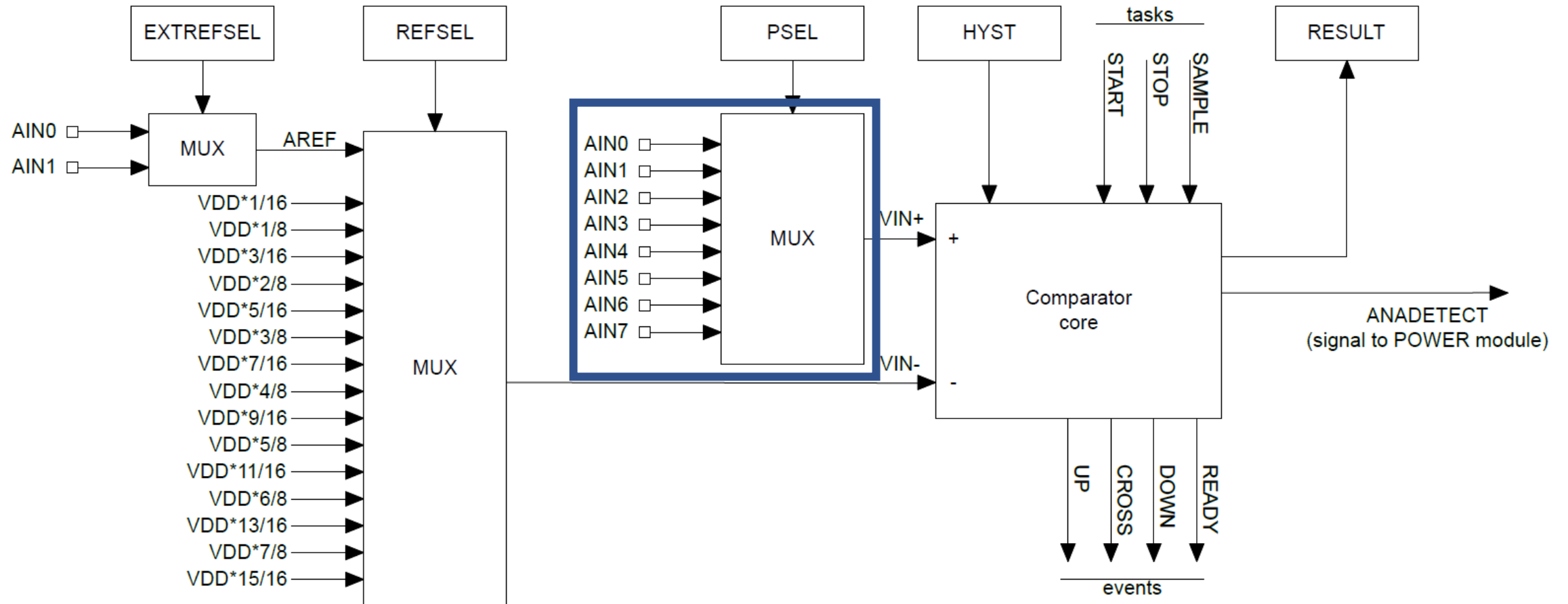
- A window added around signal state changes to prevent small amounts of noise from changing the output



# nRF low-power comparator (LPCOMP)

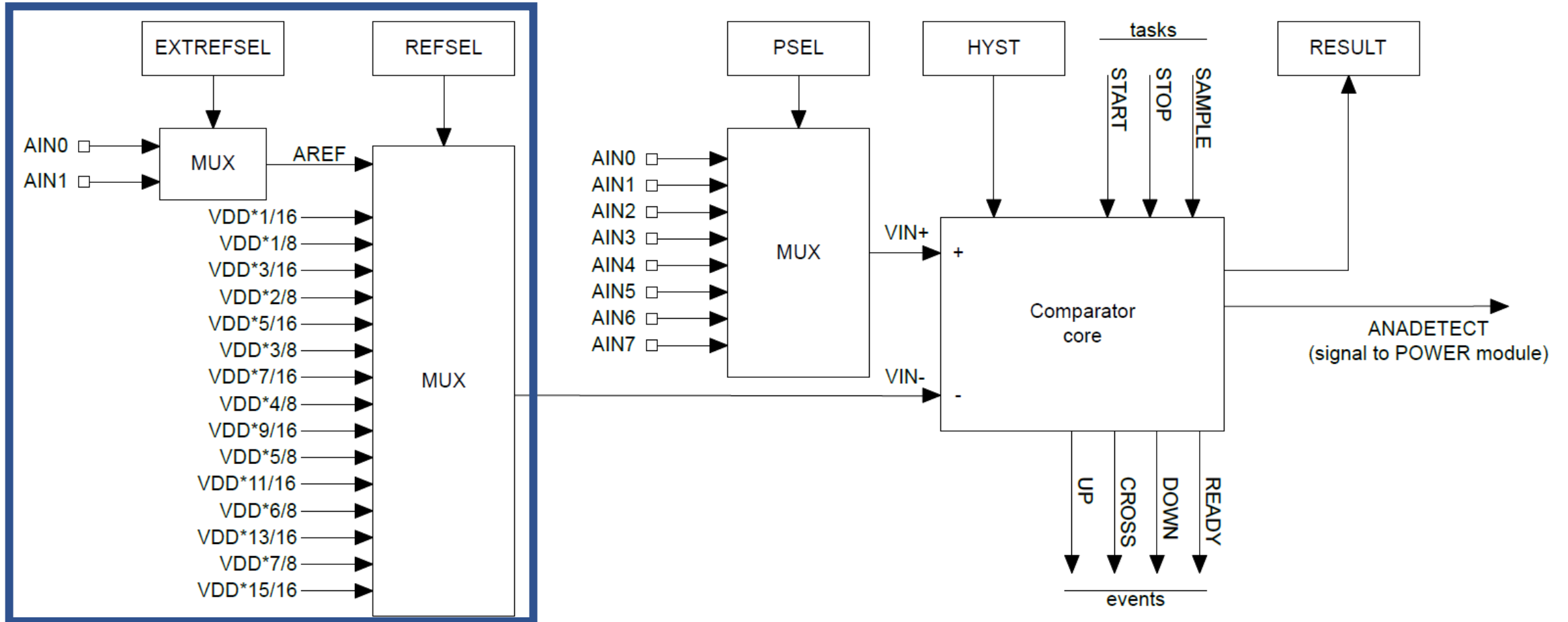


# nRF low-power comparator (LPCOMP)



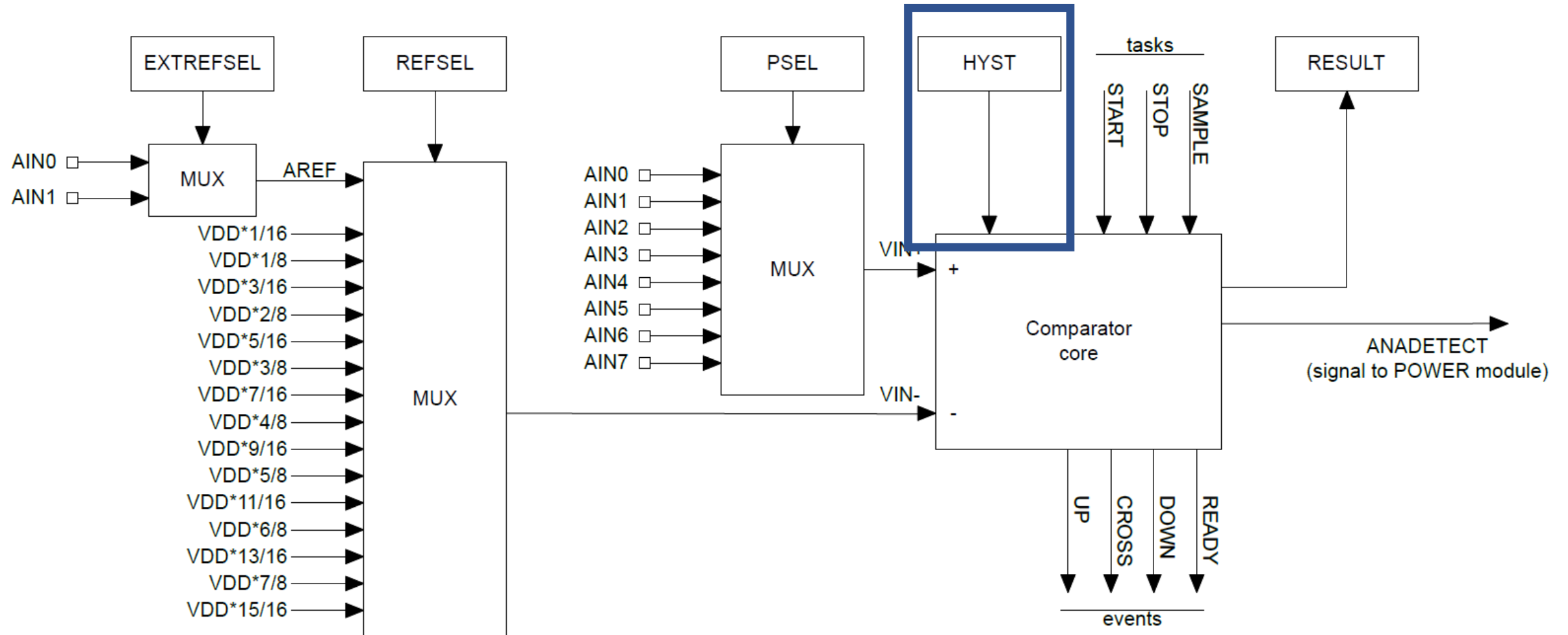
- Input: one of eight analog input pins

# nRF low-power comparator (LPCOMP)



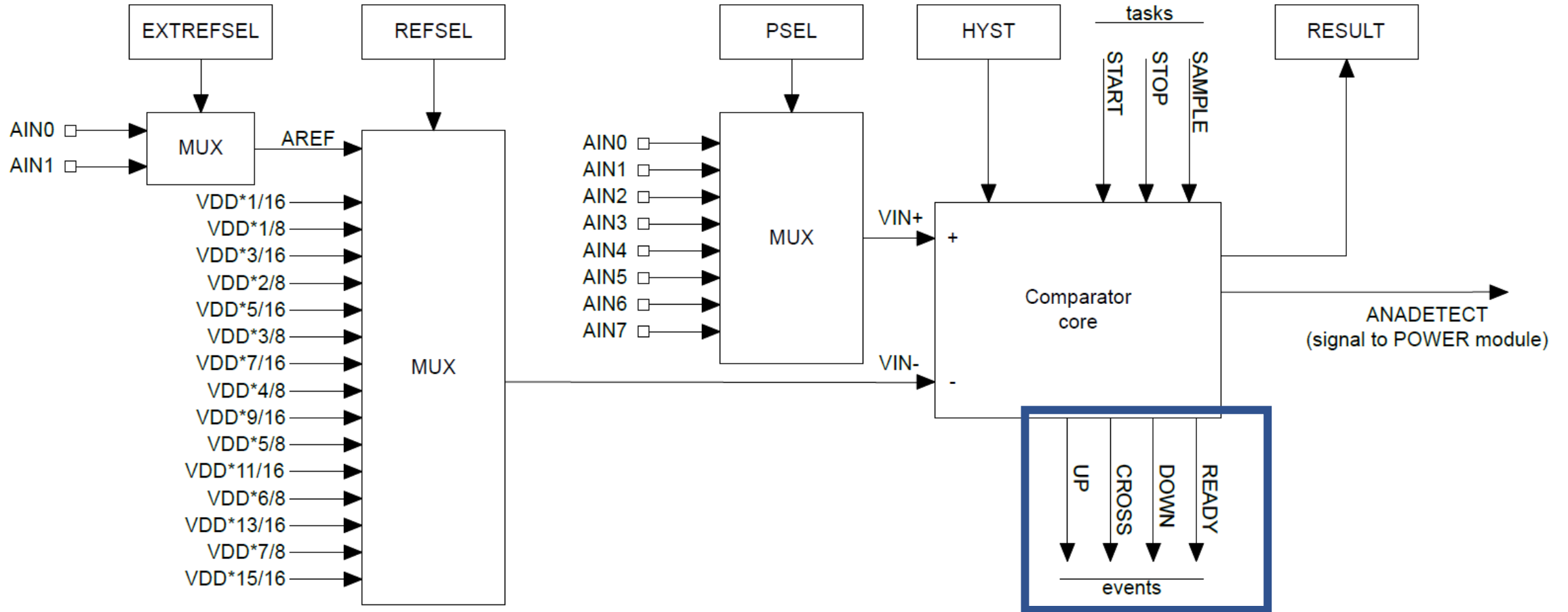
- Reference: one of two analog inputs or selection of  $VDD * N/16$

# nRF low-power comparator (LPCOMP)



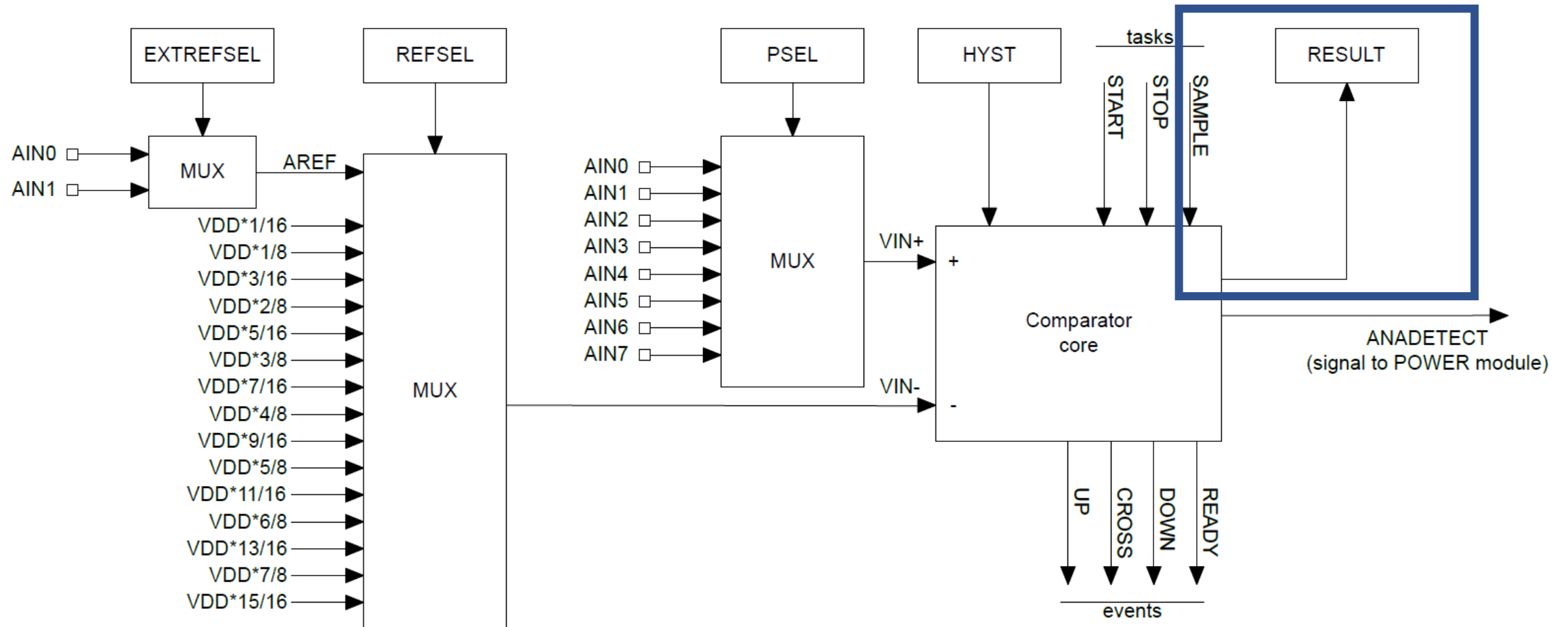
- Hysteresis: +/- 50 mV range around VIN- when enabled

# nRF low-power comparator (LPCOMP)



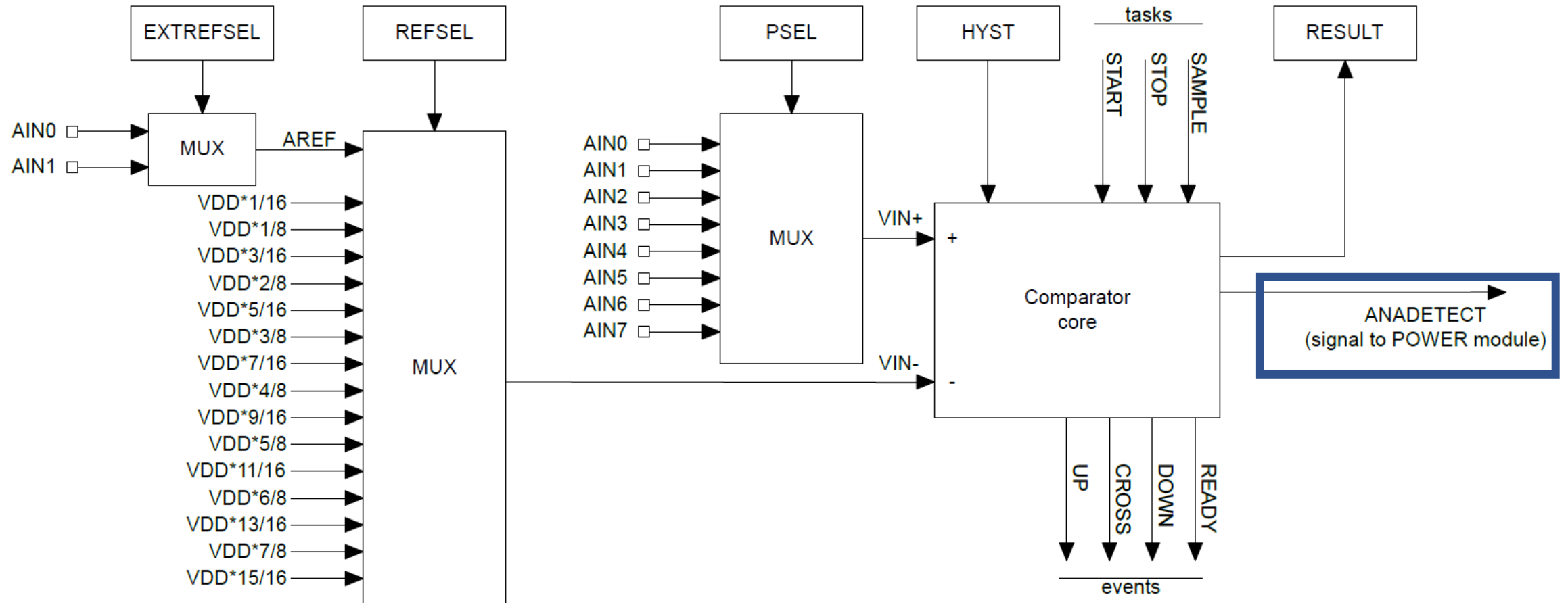
- Events: transition signals + ready ( $\sim 150 \mu\text{s}$ )

# nRF low-power comparator (LPCOMP)



- Can also request what the current comparison state is (high/low)

# nRF low-power comparator (LPCOMP)



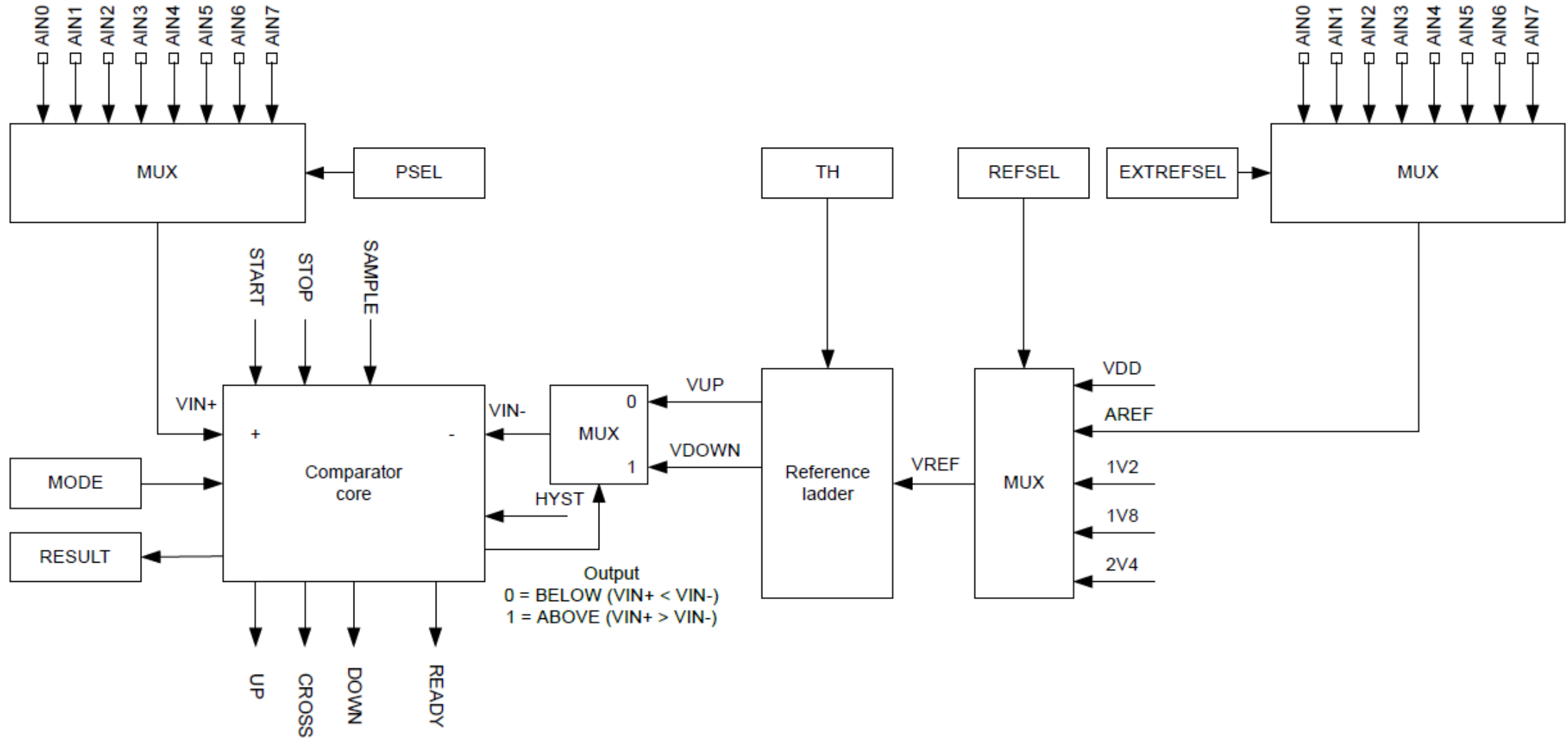
- Can be used for low-power wakeup of microcontroller



# nRF COMP peripheral

- Analog Comparator (not low power)
  - More advanced version of a comparator (otherwise similar)
- What advantages would a more capable comparator have?
  - More possible reference voltages
    - LPCOMP: VDD or input      COMP: VDD, 1.2v, 1.8v, 2.4v, or input
    - LPCOMP: 16 levels      COMP: 64 levels
  - Configurable hysteresis
    - LPCOMP: +/- 50 mV      COMP: any of the N/64 voltage levels
  - Faster detection
    - LPCOMP: 5  $\mu$ s      COMP: 0.1-0.6  $\mu$ s (depending on power mode)

# nRF COMP peripheral



# Internal reference voltages

- **Why have internal voltage references other than VDD?**

# Internal reference voltages

- **Why have internal voltage references other than VDD?**
  - What if you want to measure *is* VDD?
    - Battery voltage
    - Did someone just unplug me?
    - etc.
  - What if VDD isn't stable?
    - Battery voltage
    - Energy-harvesting system
    - Hard to know what any particular value means...

# Outline

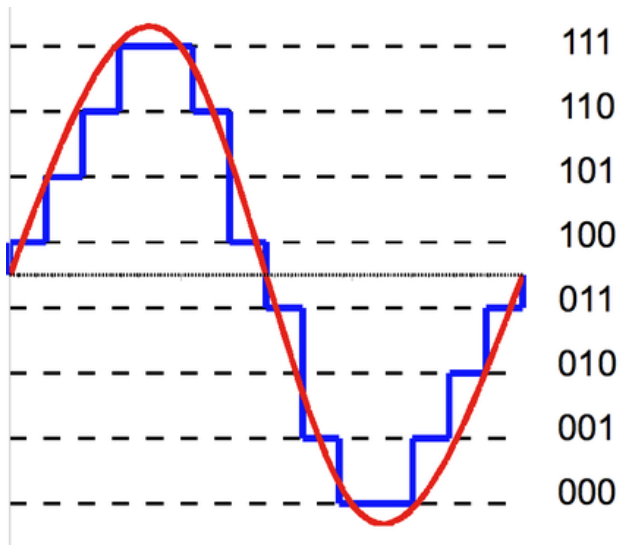
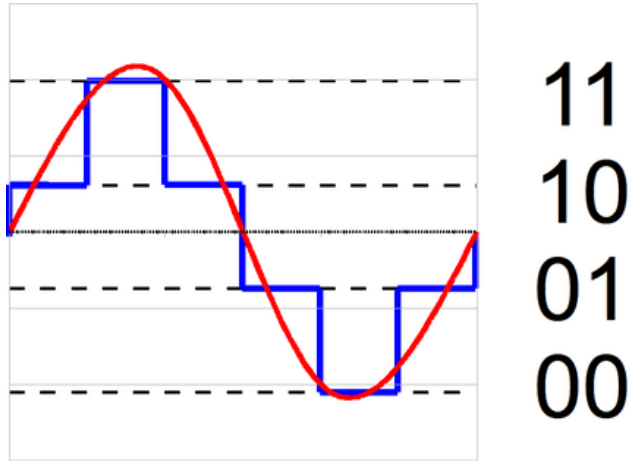
- Comparators (and nRF implementations)
- **General ADC Design**
- nRF ADC Implementation

# Interacting with analog signals

- Microcontrollers are inherently digital
- Need a method for translating analog signal into a digital one
- Options:
  1. Determine if signal is higher or lower than some amount (Boolean)
  - 2. Determine voltage value of signal (N-bit number)**

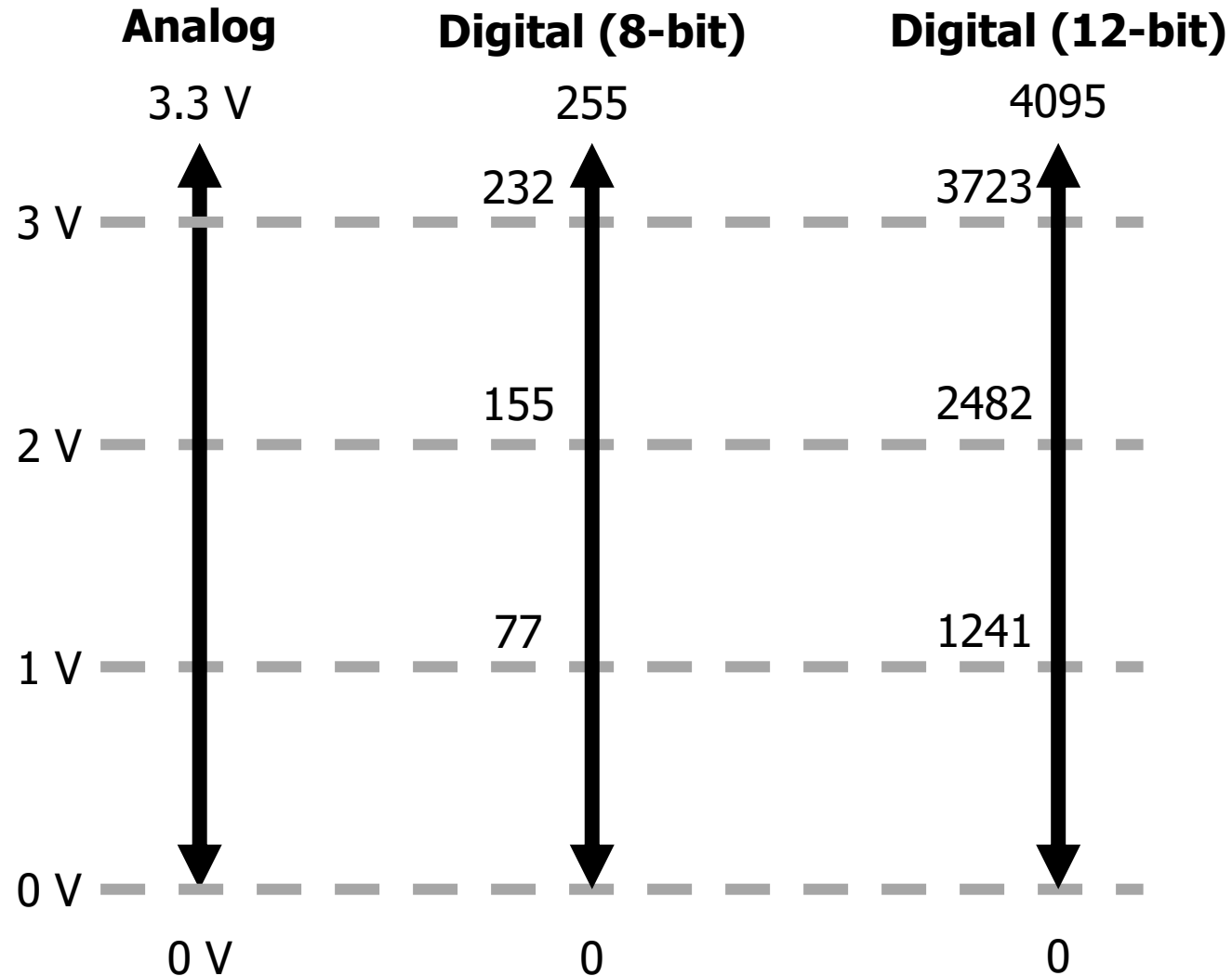
**Translation is done by an Analog-to-Digital Converter (ADC)**

# Quantization



- Analog voltages are represented by discrete voltage levels
- Comparators are 1-bit ADCs
  - Split into two regions
  - Good ADCs split into 4000-16000 regions
- More levels gives a more accurate representation of the signal

# Translating voltage and ADC counts

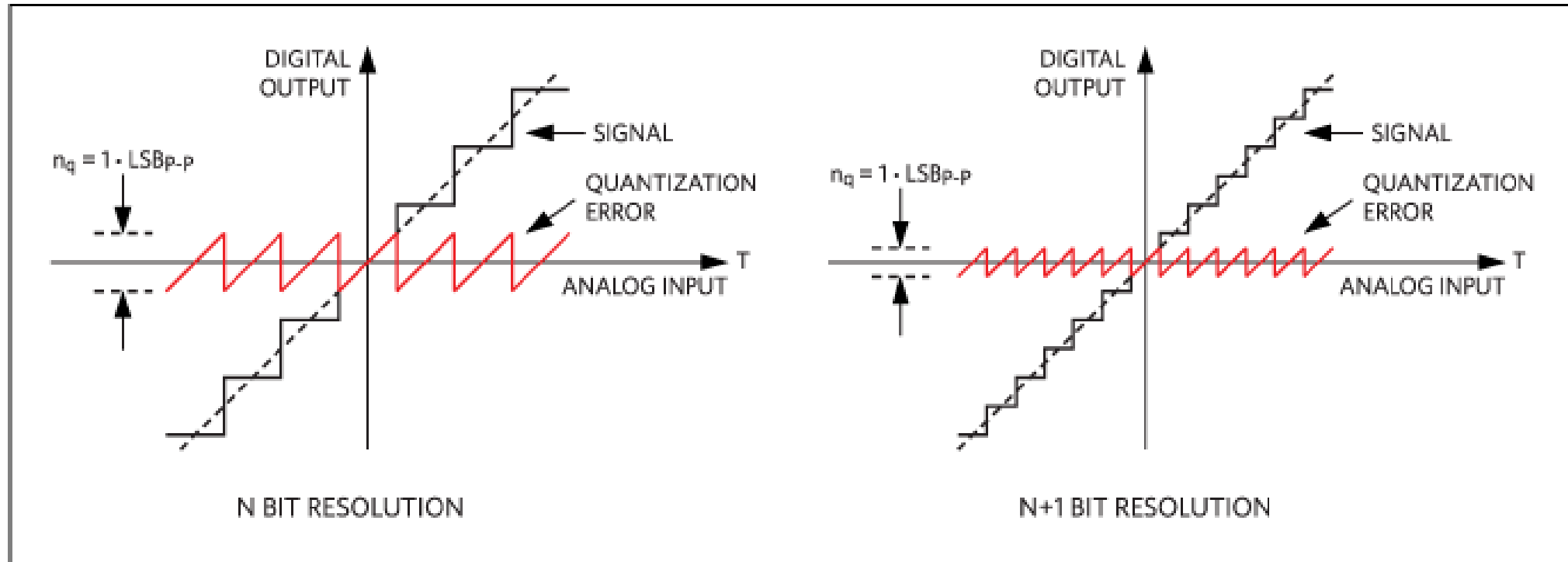


$$Value = \frac{V_{IN}}{V_{REF}} * (2^{Resolution} - 1)$$

- $V_{REF}$  selects maximum range
- Ground is usually minimum range
- Resolution depends on hardware
  - Either hardcoded or a selection



# Quantization error



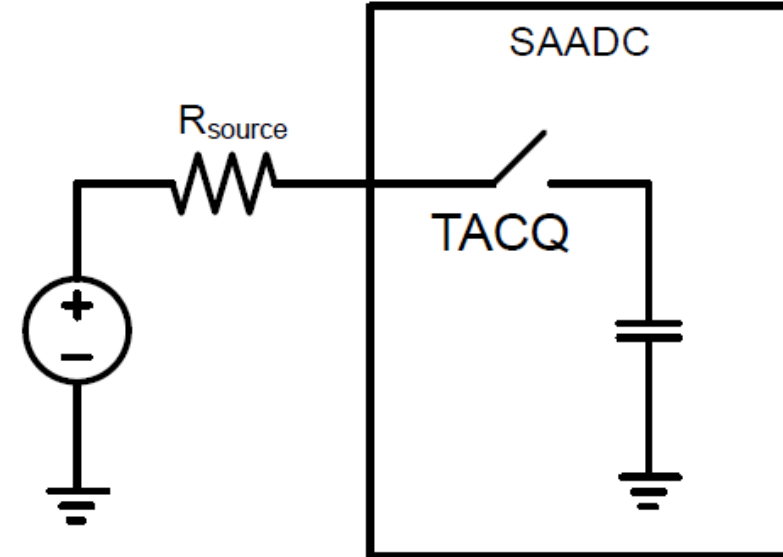
- Resolution choice determines magnitude of error
  - Each extra bit halves the magnitude of error

# Analog to digital translation process

- Two steps:

1. Acquisition

- Read in signal for some amount of time
- Signal connected to a capacitor
- Fills capacitor up to voltage level
- Speed depends on input resistance
  - 1-100  $\mu\text{s}$  is common

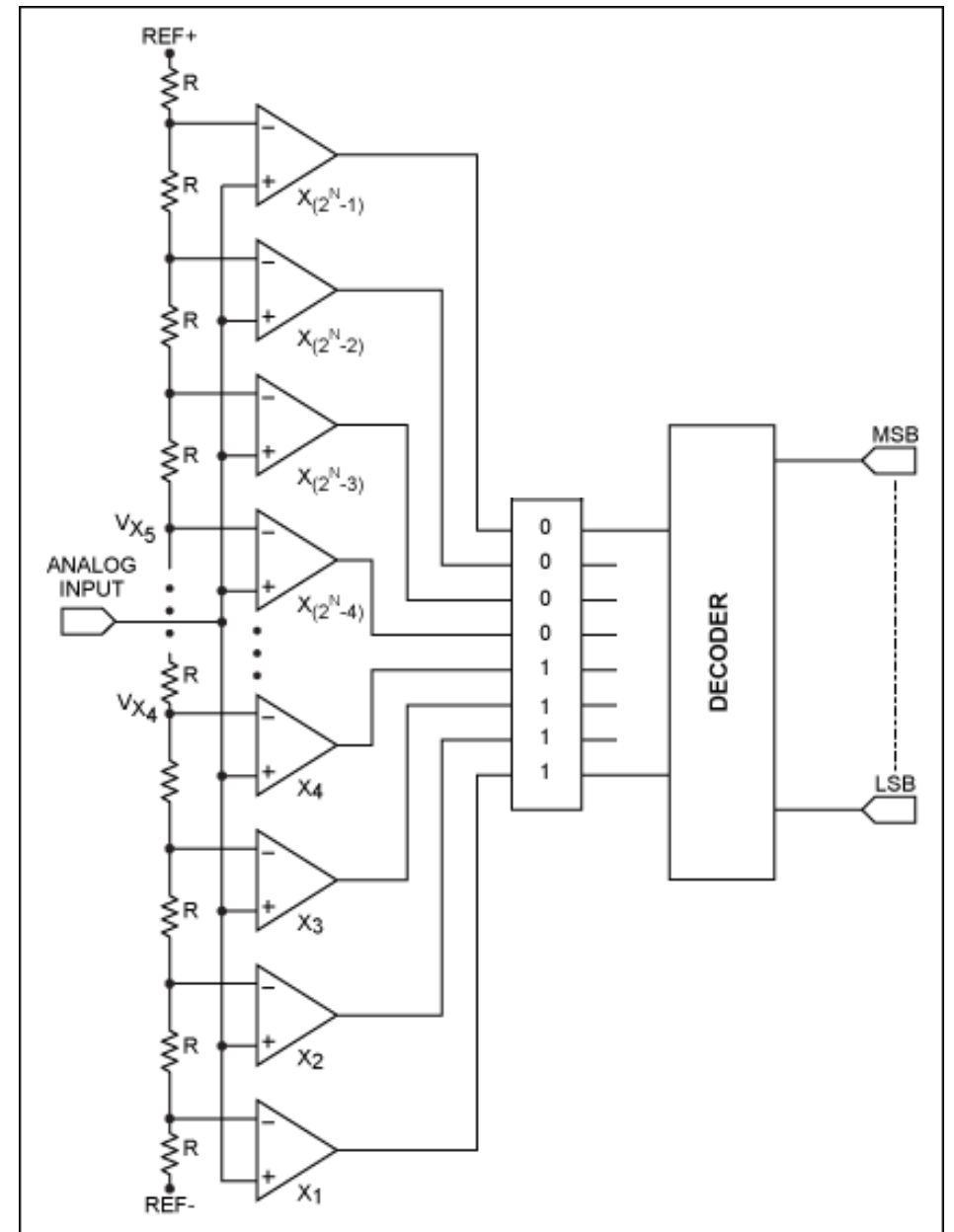


2. Conversion

- Determine which digital value the read signal corresponds to

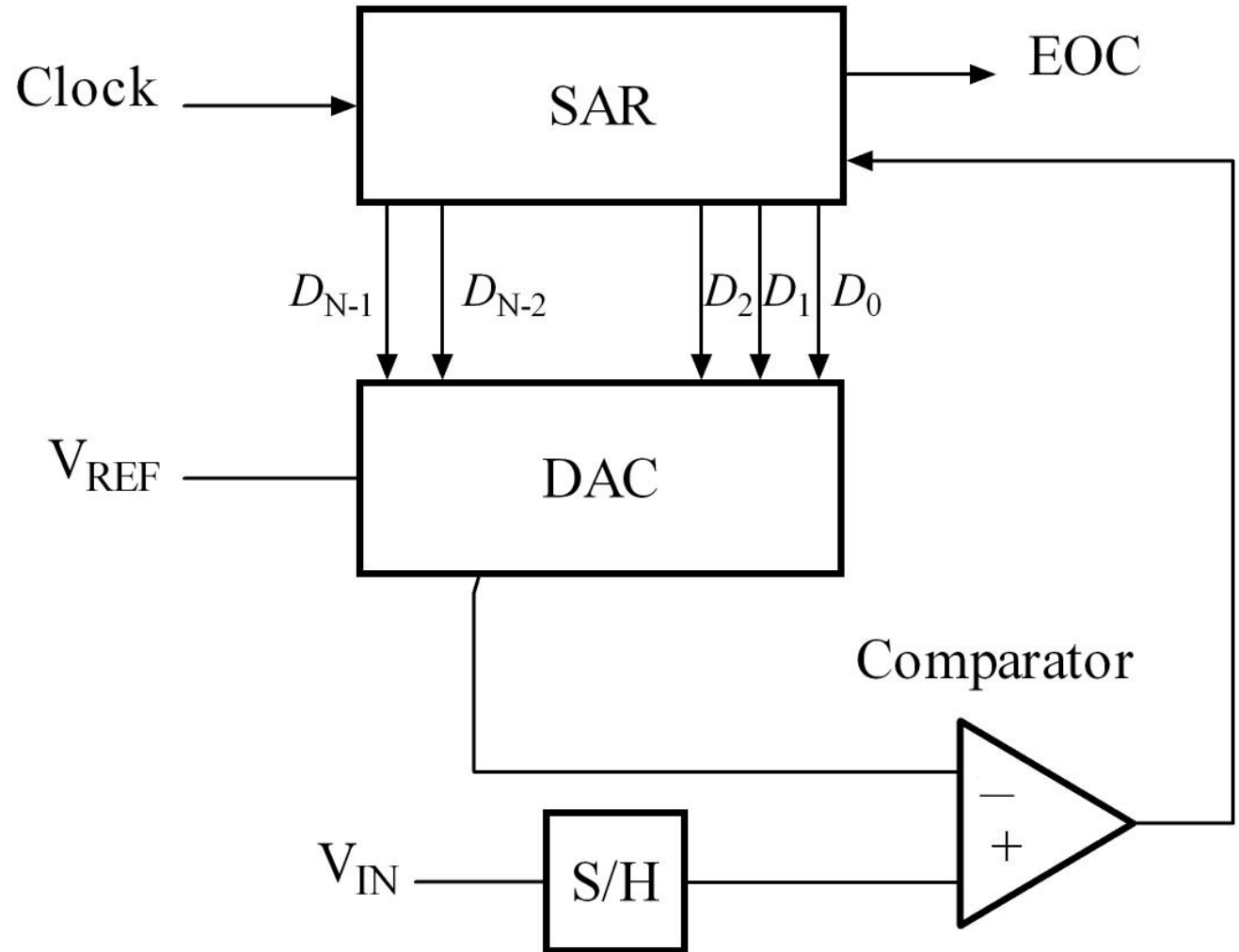
# Direct-conversion ADC

- Chain comparators together
  - Each with a separate reference voltage
- Digital value determined immediately
  - Also known as "Flash" ADCs
- Downside: needs  $2^n - 1$  comparators
  - Reserved for expensive applications



# Successive-Approximation ADC

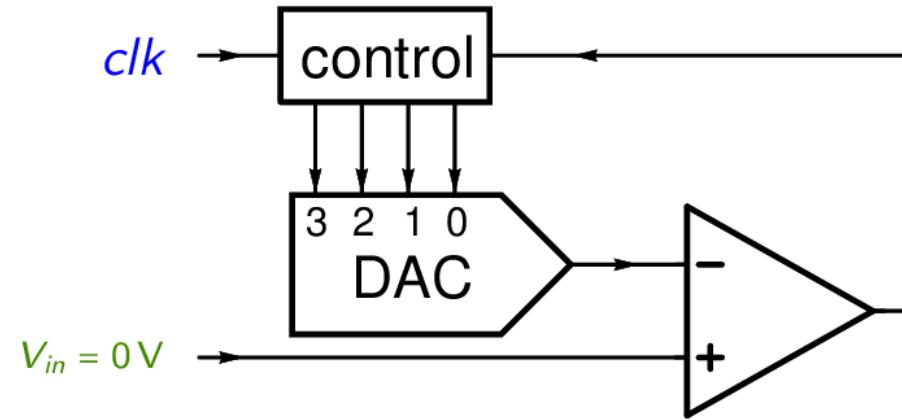
- Method:
  - Compare signal to generated reference
  - Increase or decrease reference as needed
  - Repeat
- DAC creates reference (Digital-to-Analog Converter)
  - Final value of DAC is the ADC value



# Successive Approximation Example

- Performs a binary search to determine correct reference signal value

## Successive Approximation – example of a 4-bit ADC



Resolution:	
$5V \times 1/2$	2.5000 V
$5V \times 1/4$	1.2500 V
$5V \times 1/8$	0.6250 V
$5V \times 1/16$	0.3125 V
...	
$5V \times 1/1024$	0.0049 V

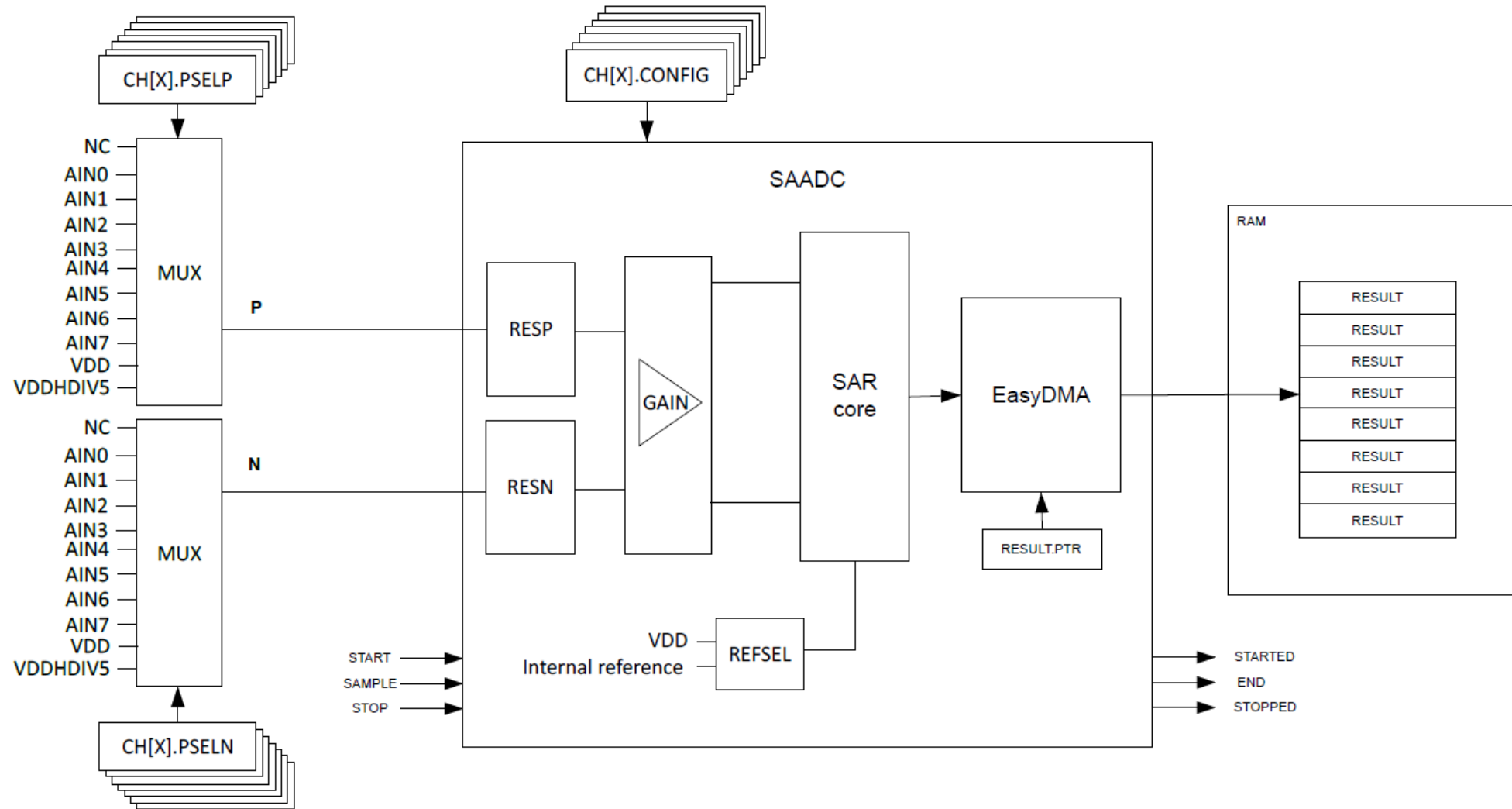
# Higher resolution ADCs are not free

- Direct-Conversion: more expensive (more silicon)
- SAADC: more time consuming (more binary search time)
  
- Resolution requirement depends on signal being sensed
  - Temperature sensor probably doesn't need 16-bit ADC
  - Microphone might though!

# Outline

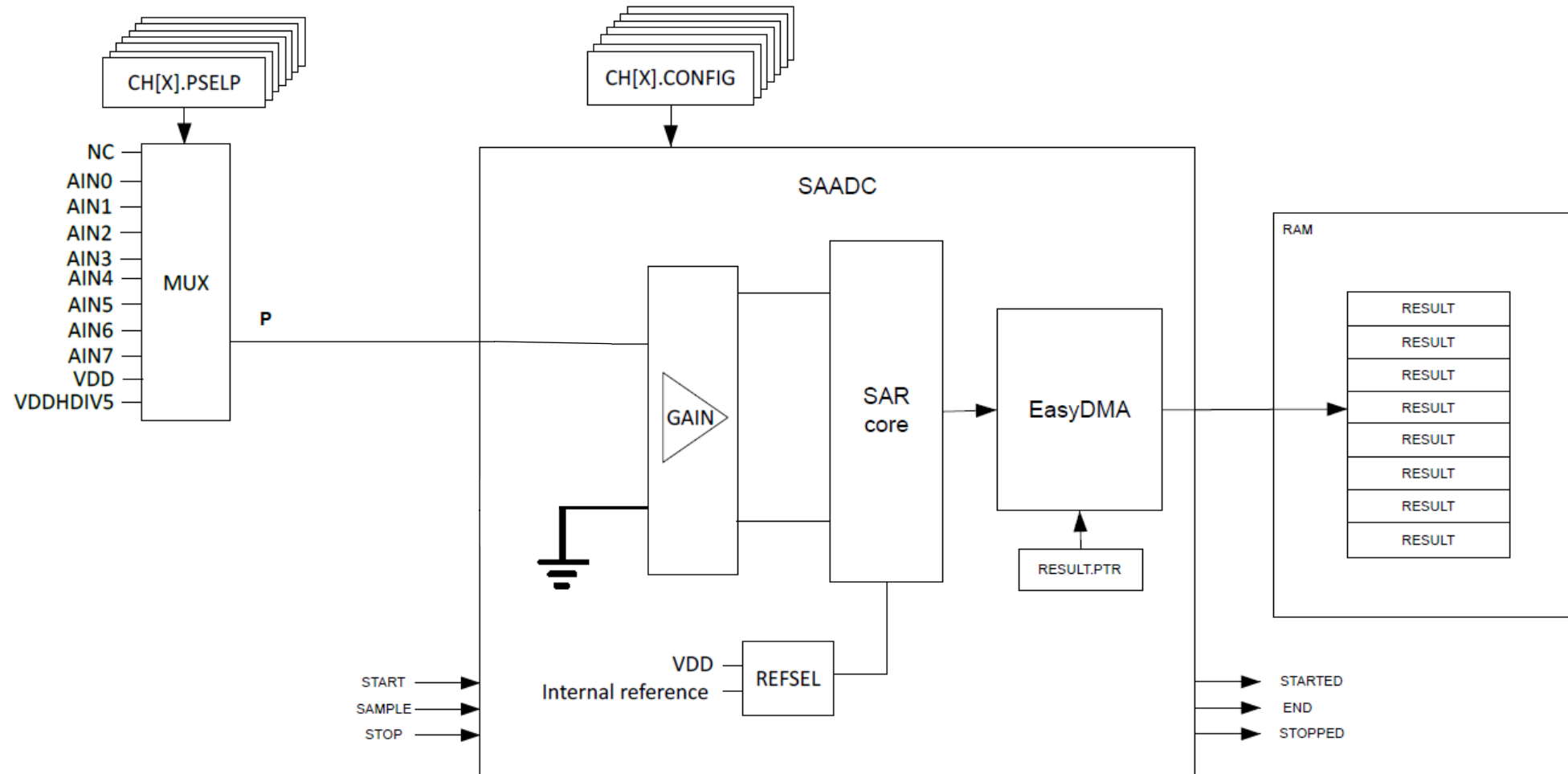
- Comparators (and nRF implementations)
- General ADC Design
- **nRF ADC Implementation**

# nRF SAADC (Successive Approximation ADC)

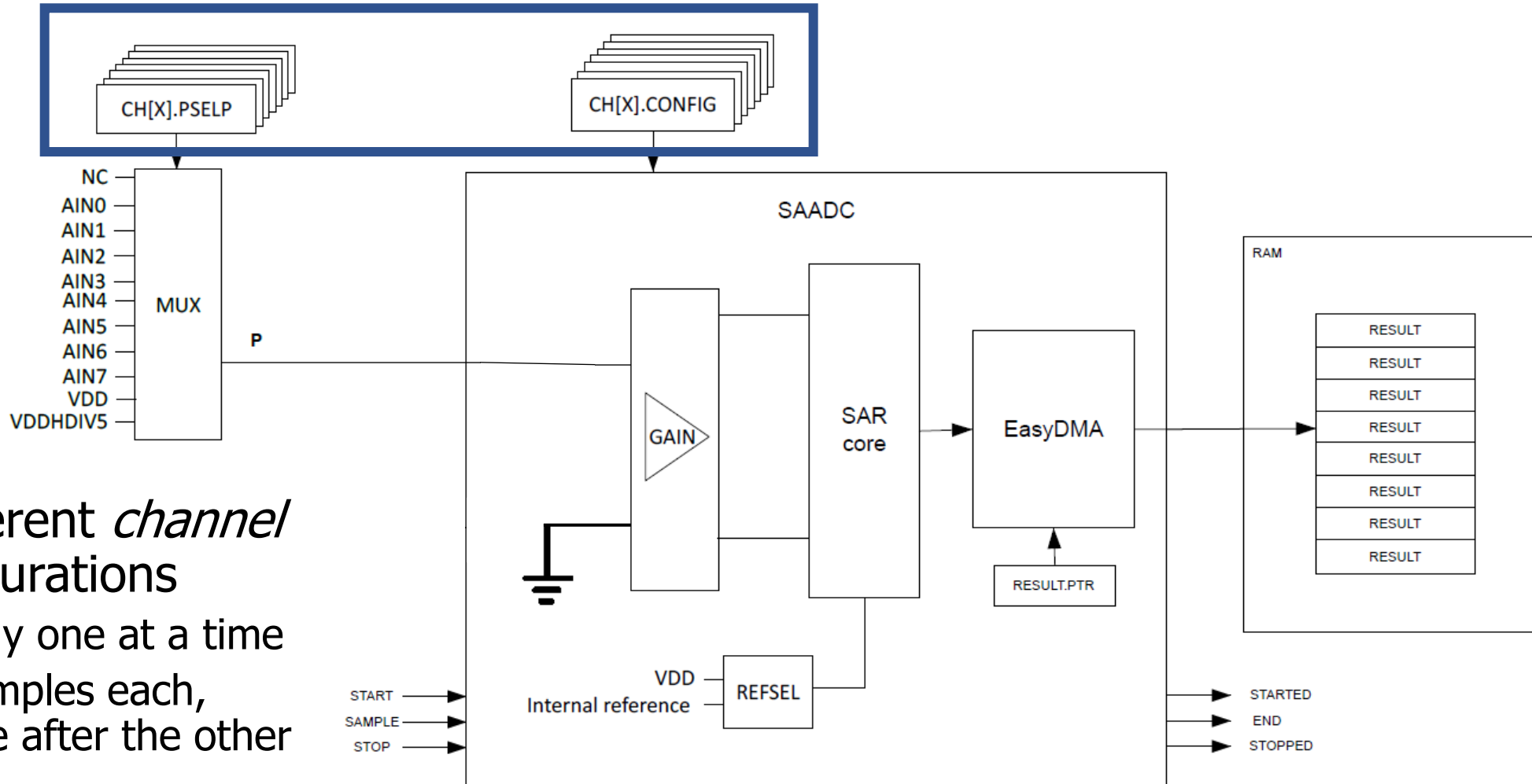




# How most people use the SAADC

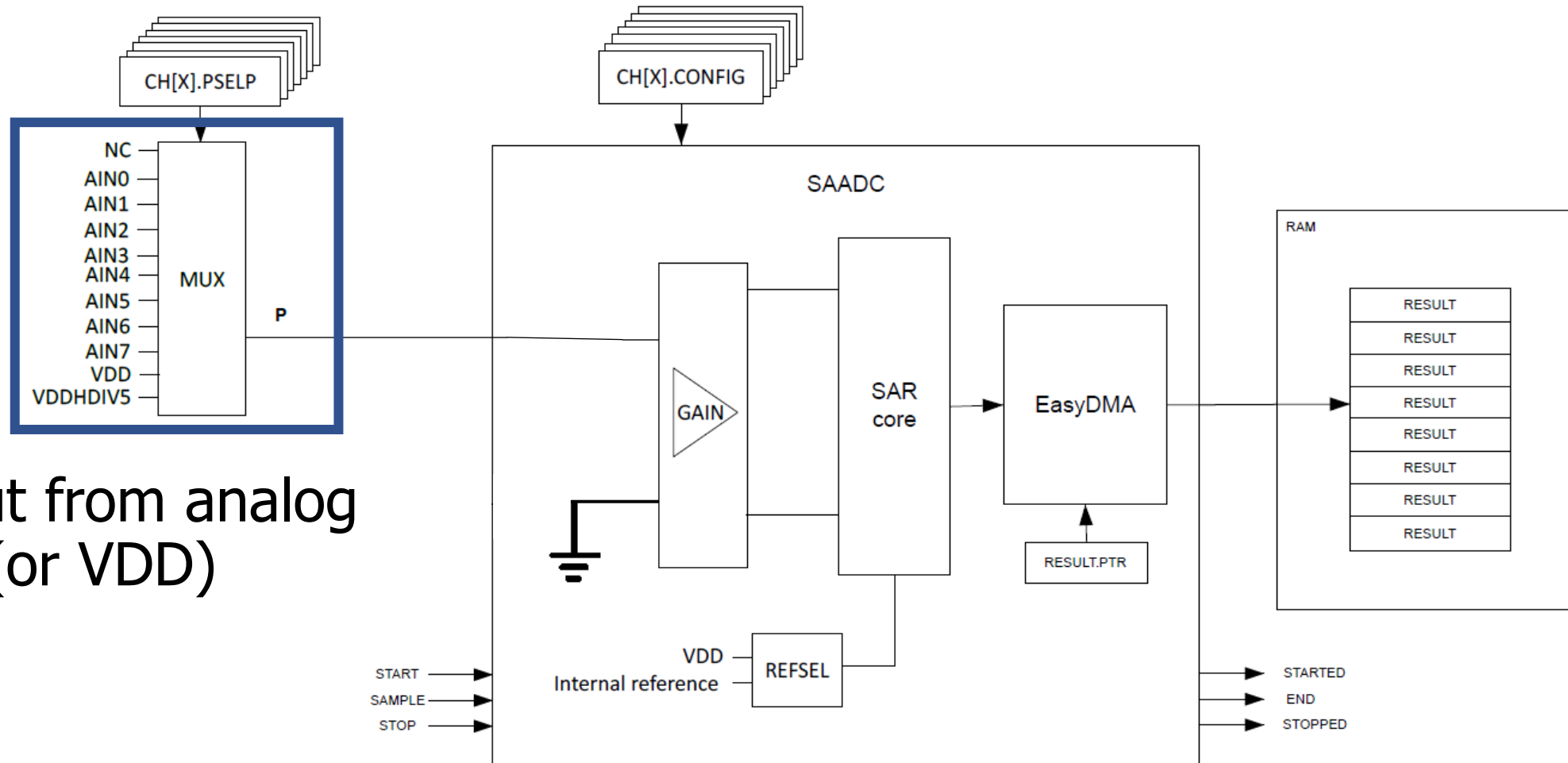


# How most people use the SAADC



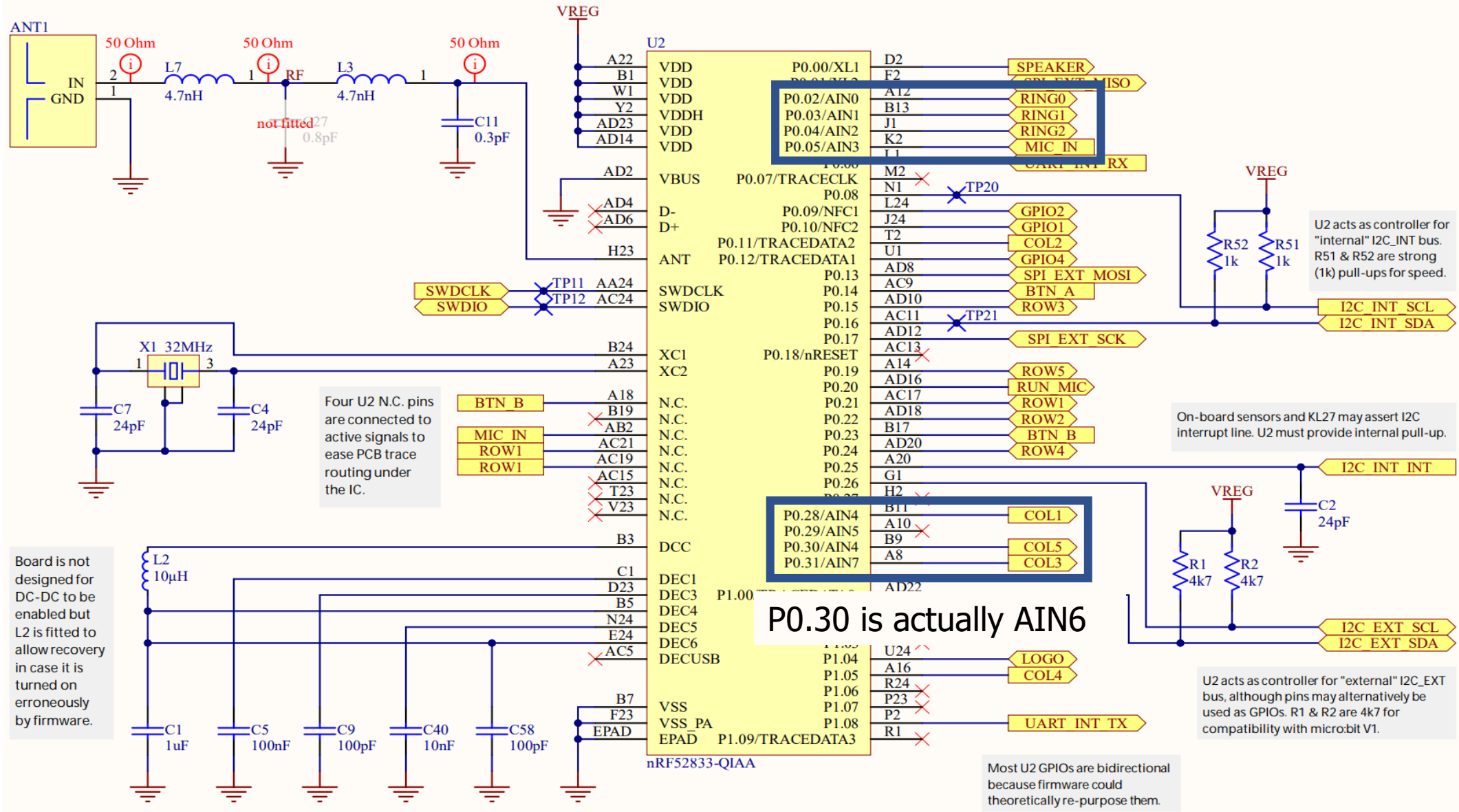
- 8 different *channel* configurations
  - Only one at a time
  - Samples each, one after the other
- Essentially virtualization in hardware!

# How most people use the SAADC

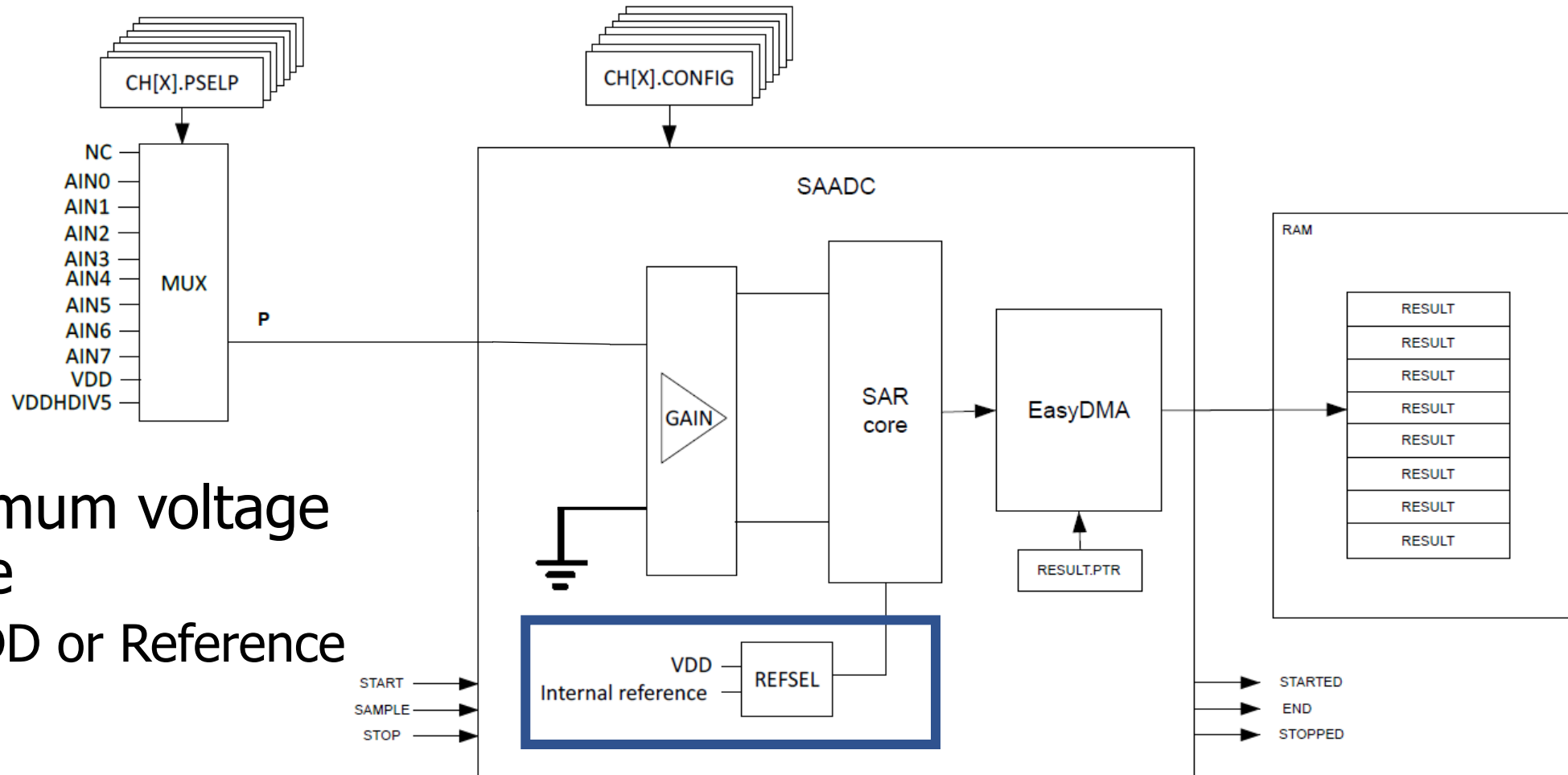


- Input from analog pin (or VDD)

# Analog inputs on the Microbit

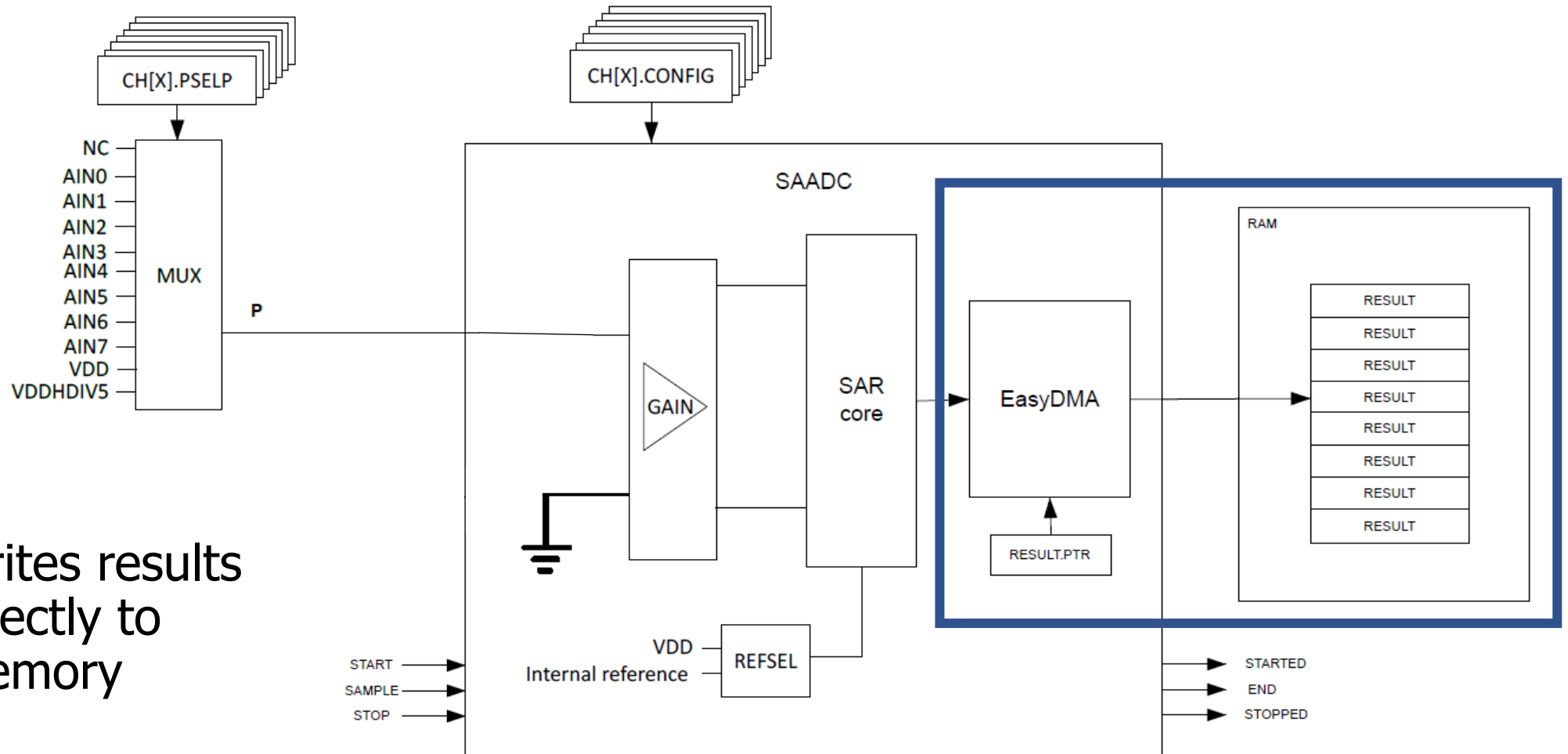


# How most people use the SAADC



- Maximum voltage range
  - VDD or Reference

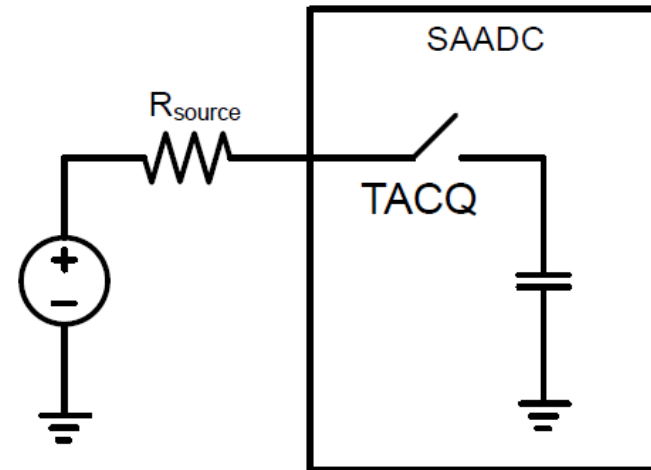
# How most people use the SAADC



- DMA
  - Writes results directly to memory

# SAADC Resolution and Sampling

- Resolution is selectable (for the whole peripheral)
  - 8, 10, 12, or 14 bits
  - Result stored as 16-bit value regardless
- Sampling time is selectable (for each channel)
  - 3-40  $\mu\text{s}$



# Triggering sample collection

- Can be triggered with TASK\_START on demand
  - Including through EVENT->TASK chaining
- Includes a timer within itself to automatically trigger sampling
  - Rate =  $16 \text{ MHz} / (2^{\text{Scale}})$  where scale is 11 bits
  - Maximum rate is 7.8 kHz

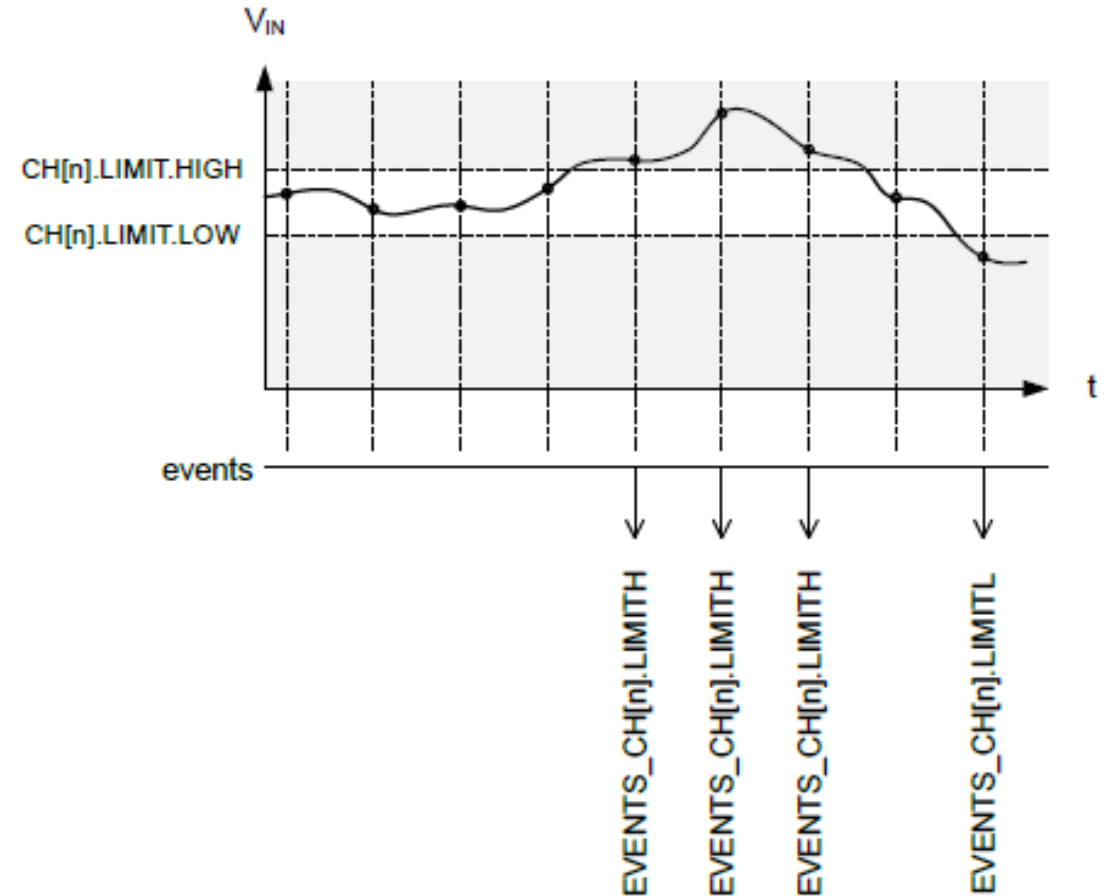


# EasyDMA on the SAADC

- There is no register to read ADC results from
- Instead, you must use DMA to collect samples
- At configuration time, provide:
  - Pointer to RAM
    - Must be RAM, not Flash
  - Maximum count of 16-bit samples to be written starting at address
    - Up to 32768
- When complete, a register tells you the amount of samples written to RAM

# Event limit monitoring

- Includes two comparators for each channel
  - High and Low limits
- Generates events whenever transitioning to above High or below Low
  - Events can be ignored if unnecessary



# Temperature sensitivity

- ADCs are often temperature sensitive
  - nRF SAADC: 0.02% per degree C
- Recommends recalibrating every change of 10 degrees C or more
  - Automatic task for calibration
  - Real concern for deployed devices
    - Outdoors
    - Wearable

# Design question

- How many analog samples can the Microbit hold?
  - Available: 128 kB RAM, 512 kB Flash (64000 samples in RAM)
  - Questions
    - Are they packed or padded to 16-bit?
    - How much memory are you using for other things?
    - Are you moving them into Flash periodically? (or external storage)

# Outline

- Comparators (and nRF implementations)
- General ADC Design
- nRF ADC Implementation