

Lecture 03

Embedded Software

CE346 – Microprocessor System Design
Branden Ghen a – Spring 2021

Some slides borrowed from:
Josiah Hester (Northwestern), Prabal Dutta (UC Berkeley)

Updates

- Hardware for anyone who filled out the form by class Wednesday
 - Should be here today? Maybe Monday.
- All orders have been placed
 - Except for a few new students

Today's Goals

- Discuss challenges of embedded software
- Describe compilation and linking of embedded code
- Explore the microcontroller boot process

Outline

- **Microbit microcontroller**
- Embedded Software
- Embedded Toolchain
- Lab Software Environment
- Boot Process

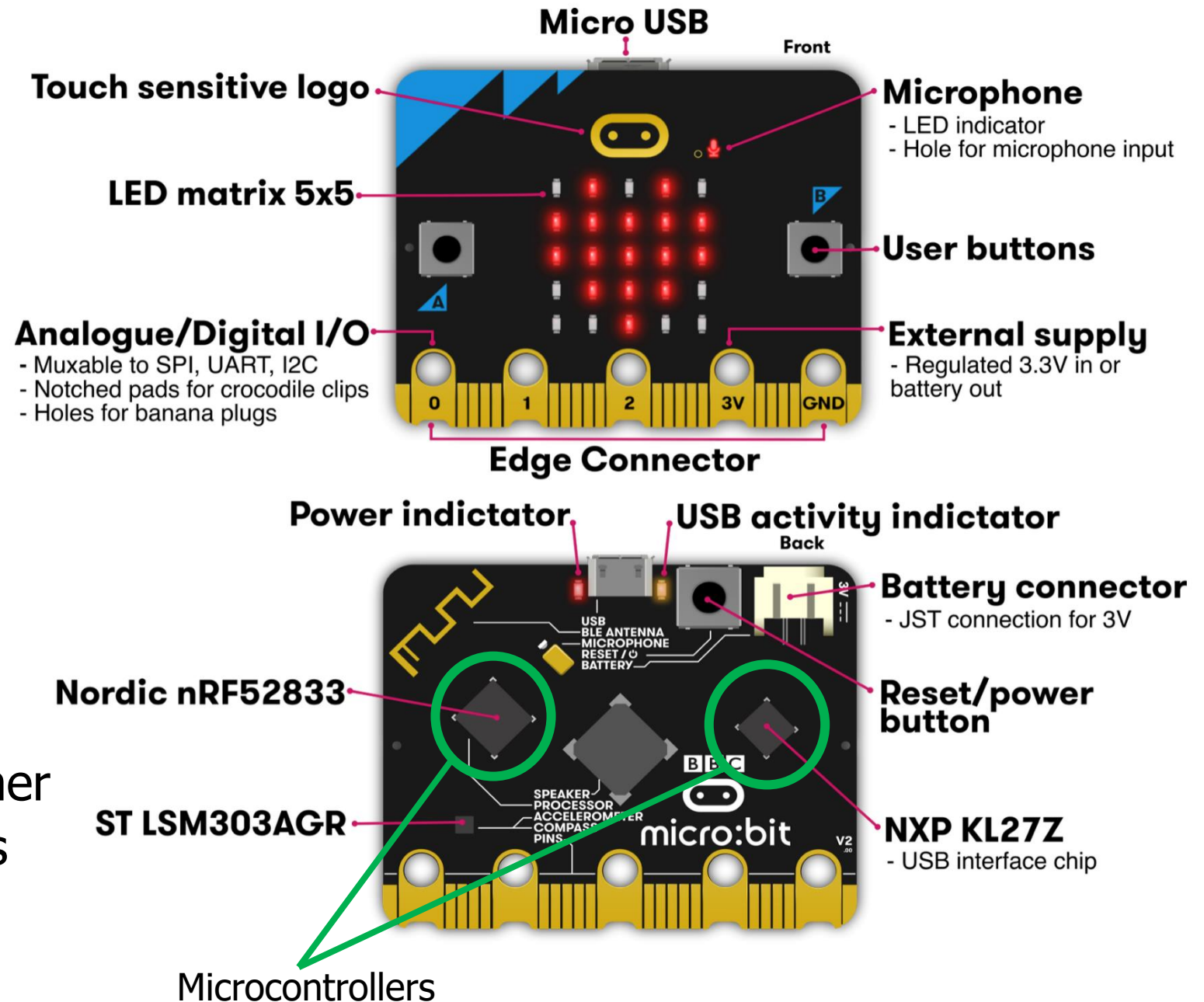
Micro:bit v2

- Circuit board

- Entire thing
- a.k.a "Dev Board"
- a.k.a PCB
(Printed Circuit Board)

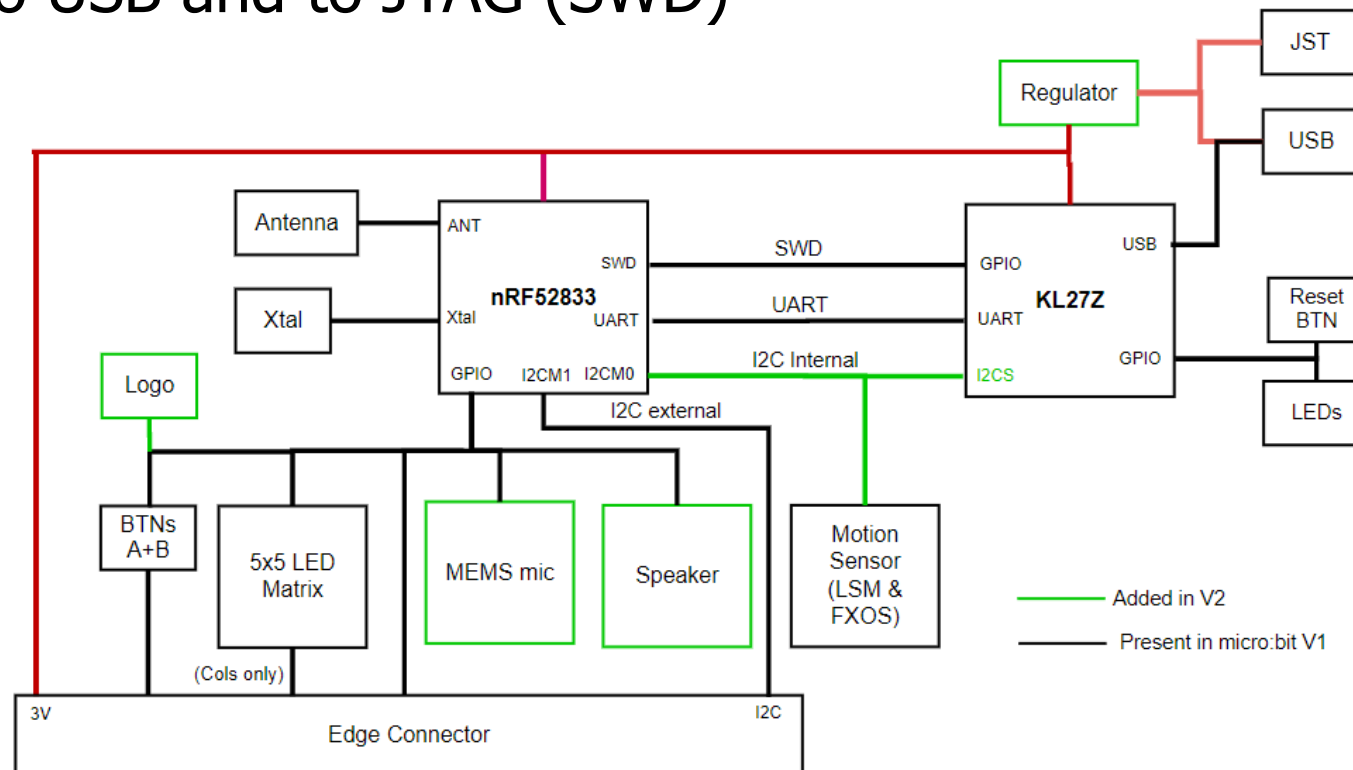
- Microcontroller

- The computer on it
- Microbit has two
 - One as a programmer
 - One for applications



KL27Z – Programmer on the Micro:bit v2

- 32-bit ARM Cortex-M0+ microcontroller
 - 48 MHz core, 16 KB RAM, 256 KB Flash
- Acts as a programming interface to nRF52833
 - Connects to USB and to JTAG (SWD)



nRF52833 – Microcontroller on the Micro:bit v2

- 32-bit ARM Cortex-M4F microcontroller
 - 64 MHz core, 128 KB RAM, 512 KB Flash
 - Floating point support
 - 2.4 GHz Radio: Bluetooth Low energy / 802.15.4
 - Various peripherals
 - ADC, PWM
 - I2C, UART, SPI, USB
 - RNG, 32-bit Timers, Watchdog, Temperature
 - Up to 42 I/O pins



To the datasheet!

- nRF52833 Product Specification

- Online:

- https://infocenter.nordicsemi.com/index.jsp?topic=%2Fps_nrf52833%2Fkeyfeatures_html5.html

- PDF: https://infocenter.nordicsemi.com/pdf/nRF52833_PS_v1.3.pdf

Outline

- Microbit microcontroller
- **Embedded Software**
- Embedded Toolchain
- Lab Software Environment
- Boot Process

Assumptions of embedded programs

- Expect limitations
 - Very little memory
 - Very little computational power
 - Very little energy
- Don't expect a lot of support
 - Likely no operating system
 - Might not even have error reporting capabilities
- Moral: think differently about your programs

Ramifications of limited memory

- Stack and Data sections are limited
 - Be careful about too much recursion
 - Be careful about large local variables
 - Large data structures defined globally are preferred
 - Fail at compile time
- Heap section is likely non-existent
 - **Why?**

Ramifications of limited memory

- Stack and Data sections are limited
 - Be careful about too much recursion
 - Be careful about large local variables
 - Large data structures defined globally are preferred
 - Fail at compile time
- Heap section is likely non-existent
 - **Why?**
 - Malloc could run out of memory at runtime

Avoiding dynamic memory

- Malloc is *scary* in an embedded context
- What if there's no more memory available?
 - Traditional computer
 - Swap memory to disk
 - Worst case: wait for a process to end (or kill one)
 - Embedded computer
 - There's likely only a single application
 - And it's the one asking for more memory
 - So it's not giving anything back anytime soon
- This is unlikely to happen at boot
 - Instead it'll happen hours or days into running as memory is slowly exhausted...

Limitations on processing power

- Typically not all that important
 - Code still runs pretty fast
 - 10 MHz -> 100 ns per cycle
 - Controlling hardware usually doesn't have a lot of code complexity
 - Quickly gets to the "waiting on hardware" part
- Problems
 - Machine learning
 - Learning on the device is neigh impossible
 - Memory limitations make it hard to fit weights anyways
 - Cryptography
 - Public key encryption takes seconds to minutes

Common programming languages for embedded

- C
 - For all the reasons that you assume
 - Easy to map variables to memory usage and code to instructions
- Assembly
 - Not entirely uncommon, but rarer than you might guess
 - C code optimized by a modern compiler is likely faster
 - Notable uses:
 - Cryptography to create deterministic algorithms
 - Operating Systems to handle process swaps

Rarer programming languages for embedded

- C++
 - Similar to C but with better library support
 - Libraries take up a lot of code space though ~100 KB
- Rust
 - Modern language with safety and reliability guarantees
 - Relatively new to the embedded space
 - And a high learning curve
- Python, Javascript, etc.
 - Mostly toy languages
 - Fine for simple things but incapable of complex operations

What's missing from programming languages?

- The embedded domain has several requirements that other domains do not
- What is missing from programming languages that it wants?
 - Sense of time
 - Sense of energy

Programming languages have no sense of time

- Imagine a system that needs to send messages to a motor every 10 milliseconds
 - Write a function that definitely completes within 10 milliseconds
- Accounting for timing when programming is very challenging
 - We can profile code and determine timing at runtime
 - If we know many details of hardware, instructions can give timing
 - Unless the code interacts with external devices

Determining energy use is rather complicated

- Software might
 - Start executing a loop
 - Turn on/off an LED
 - Send messages over a wired bus to another device
- Determining energy these operations take is really difficult
 - Even with many details of the hardware
 - Different choices of clocks can have a large impact
- Often profiled at runtime after writing the code
 - Iterative write-test-modify cycle

Outline

- Microbit microcontroller
- Embedded Software
- **Embedded Toolchain**
- Lab Software Environment
- Boot Process

Embedded compilation steps

- Same first steps as any system

1. Compiler

- Turn C code into assembly
- Optimize code (often for size instead of speed)

Cross compilers compile for different architectures

- The compiler we'll be using is a cross compiler
 - Run on one architecture but compile code for another
 - Example: runs on x86-64 but compiles armv7e-m
- GCC is named: ARCH-VENDOR-(OS-)-ABI-gcc
 - arm-none-eabi-gcc
 - ARM architecture
 - No vendor
 - No OS
 - Embedded Application Binary Interface
 - Others: arm-none-linux-gnueabi, i686-unknown-linux-gnu

Embedded compilation steps

- Same first steps as any system

1. Compiler

- Turn C code into assembly
- Optimize code (often for size instead of speed)

2. Linker

- Combine multiple C files together
- Resolve dependencies
 - Point function calls at correct place
 - Connect creation and uses of global variables

Informing linker of system memory

- Linker actually places code and variables in memory
 - It needs to know where to place things
- **How do traditional computers handle this?**

Informing linker of system memory

- Linker actually places code and variables in memory
 - It needs to know where to place things
- **How do traditional computers handle this?**
 - Virtual memory allows all applications to use the same memory addresses
- Embedded solution
 - Only run a single application
 - Provide an LD file
 - Specifies memory layout for a certain system
 - Places sections of code in different places in memory

Anatomy of an LD file

- nRF52833: 512 KB Flash, 128 KB SRAM
- First, LD file defines memory regions

```
MEMORY {  
    FLASH (rx) : ORIGIN = 0x00000000, LENGTH = 0x80000  
    RAM (rwx) : ORIGIN = 0x20000000, LENGTH = 0x20000  
}
```

- A neat thing about microcontrollers: pointers have meaning
 - Just printing the value of a pointer can tell you if it's in Flash or RAM

Anatomy of an LD file

- It then places sections of code into those memory regions

```
.text : {  
    KEEP(*(.Vectors))  
    *(.text*)  
    *(.rodata*)  
    . = ALIGN(4);  
} > FLASH  
__etext = .;
```

```
.data : AT (__etext) {  
    __data_start__ = .;  
    *(.data*)  
    __data_end__ = .;  
} > RAM
```

```
.bss : {  
    . = ALIGN(4);  
    __bss_start__ = .;  
    *(.bss*)  
    . = ALIGN(4);  
    __bss_end__ = .;  
} > RAM
```

Sections of code

- Where do these sections come from?
- Most are generated by the compiler
 - .text, .rodata, .data, .bss
 - You need to be deep in the docs to figure out how the esoteric ones work
- Some are generated by the programmer
 - Allows you to place certain data items in a specific way

```
__attribute__((section(".foo"))  
int test[10] = {0,0,0,0,0,0,0,0,0,0};
```

Embedded compilation steps

- Same first steps as any system

1. Compiler

- Turn C code into assembly
- Optimize code (often for size instead of speed)

2. Linker

- Combine multiple C files together
- Resolve dependencies
 - Point function calls at correct place
 - Connect creation and uses of global variables

- Output: a binary (or hex) file

Example

- Demonstrated in the blink application in lab repo
 - <https://github.com/nu-ce346/nu-microbit-base/tree/main/software/apps/blink>

Outline

- Microbit microcontroller
- Embedded Software
- Embedded Toolchain
- **Lab Software Environment**
- Boot Process

Embedded environments

- There are a multitude of embedded software systems
 - Every microcontroller vendor has their own
 - Popular platforms like Arduino
- We're using the Nordic software plus some extensions made by my research group
 - It'll be a few weeks until that matters for the most part
 - We'll start off by writing low-level drivers ourselves

Software Development Kit (SDK)

- Libraries provided by Nordic for using their microcontrollers
 - Actually incredibly well documented! (relatively)
 - Various peripherals and library tools
- SDK documentation
 - https://infocenter.nordicsemi.com/topic/sdk_nrf5_v16.0.0/index.html
 - Warning: search doesn't really work
- Most useful link is probably to the list of data structures
 - https://infocenter.nordicsemi.com/topic/sdk_nrf5_v16.0.0/annotated.html

nRF52x-base



- Wrapper built around the SDK by Lab11
 - Branden Ghena, Brad Campbell (UVA), Neal Jackson, a few others
 - Allows everything to be used with Makefiles and command line
 - <https://github.com/lab11/nrf52x-base>
- We include it as a submodule
 - It has a copy of the SDK code and softdevice binaries
 - It has a whole Makefile system to include to proper C and H files
 - We include a Board file that specifies our specific board's needs and capabilities
- Go to repo to explain

Outline

- Microbit microcontroller
- Embedded Software
- Embedded Toolchain
- Lab Software Environment
- **Boot Process**

How does a microcontroller *start* running code?

- Power comes on
- Microcontroller needs to start executing assembly code
- You expect your `main()` function to run
 - But a few things need to happen first

Step 0: set a stack pointer

- Assembly code might need to write data to the stack
 - Might call functions that need to stack registers
- ARM: Valid address for the stack pointer is at address 0 in Flash
 - Needs to point to somewhere in RAM
 - Hardware loads it into the Stack Pointer when it powers on

Step 1: set the program counter (PC)

- a.k.a. the Instruction Pointer (IP) in x86 land
- ARM: valid instruction pointer is at address 4 in Flash
 - Could point to RAM, usually to Flash though
 - Automatically loaded into the PC after the SP is loaded
 - Again, hardware does this

Step 2: “reset handler” prepares memory

- Code that handles system resets
 - Either reset button or power-on reset
 - Address was loaded into PC in Step 1
- Reset handler code:
 - Loads initial values of .data section from Flash into RAM
 - Loads zeros as values of .bss section in RAM
 - Calls SystemInit
 - Handles various hardware configurations/errata
 - Calls _start

[nu-microbit-base/software/nrf52x-base/sdk/nrf5_sdk_16.0.0/modules/nrfx/mdk/gcc_startup_nrf52833.S](https://github.com/nordiclabs/nrf52833_sdk_16.0.0/modules/nrfx/mdk/gcc_startup_nrf52833.S)

[nu-microbit-base/software/nrf52x-base/sdk/nrf5_sdk_16.0.0/modules/nrfx/mdk/system_nrf52.c](https://github.com/nordiclabs/nrf52833_sdk_16.0.0/modules/nrfx/mdk/system_nrf52.c)

Step 3: set up C runtime

- `_start` is provided by `newlib`
 - An implementation of `libc` – the C standard library
 - Startup is a file usually named `crt0`
- Does more setup, almost none of which is relevant for our system
 - Probably is this code that actually zeros out `.bss`
 - Sets `argc` and `argv` to 0
 - Calls `main()` !!!

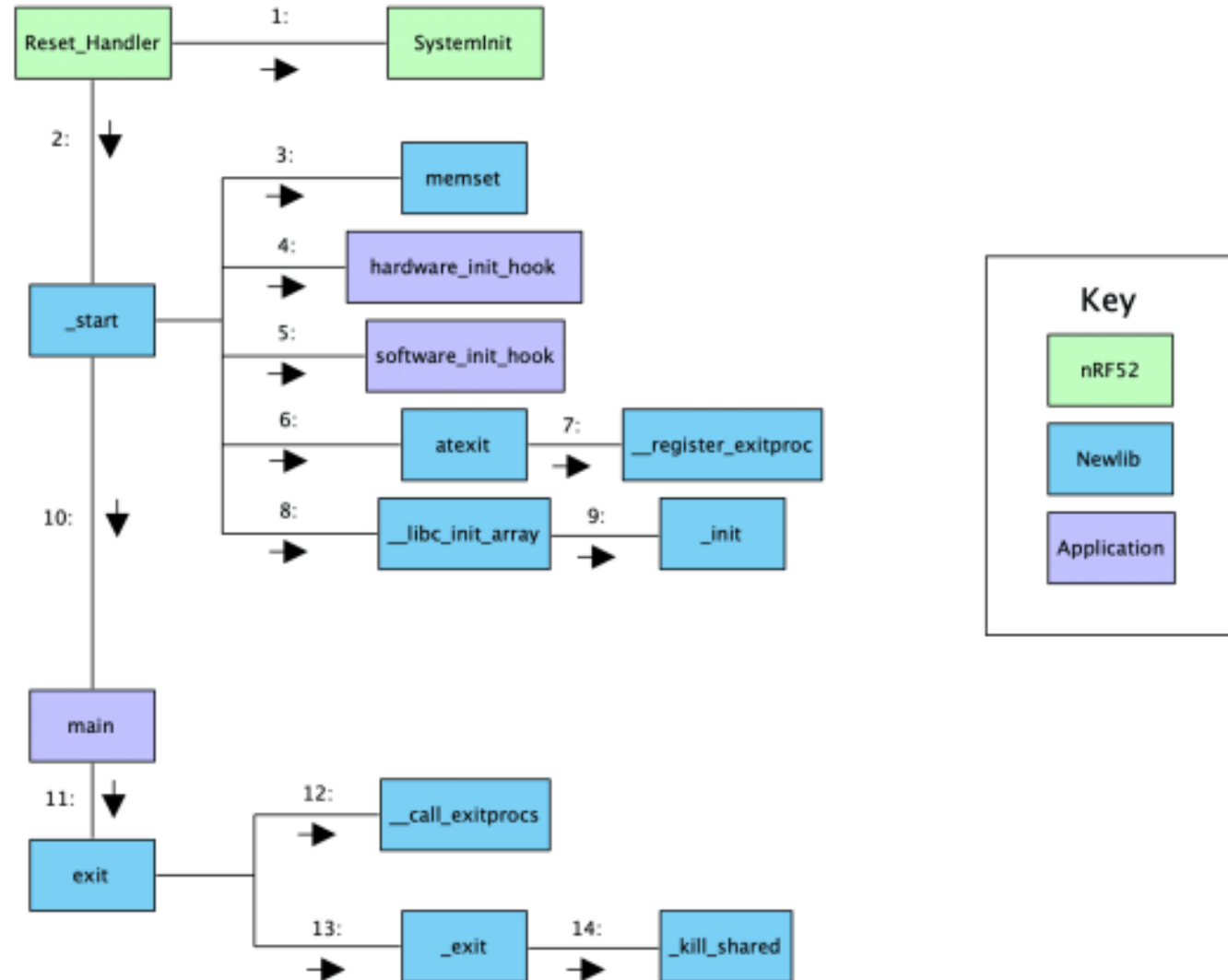
https://sourceware.org/git/gitweb.cgi?p=newlib-cygwin.git;a=blob_plain;f=libgloss/arm/crt0.S;hb=HEAD

Online writeup with way more details and a diagram

- Relevant guide!!

- <https://embeddardistry.com/blog/2019/04/17/exploring-startup-implementations-newlib-arm/>

- Covers the nRF52!



Outline

- Microbit microcontroller
- Embedded Software
- Embedded Toolchain
- Lab Software Environment
- Boot Process